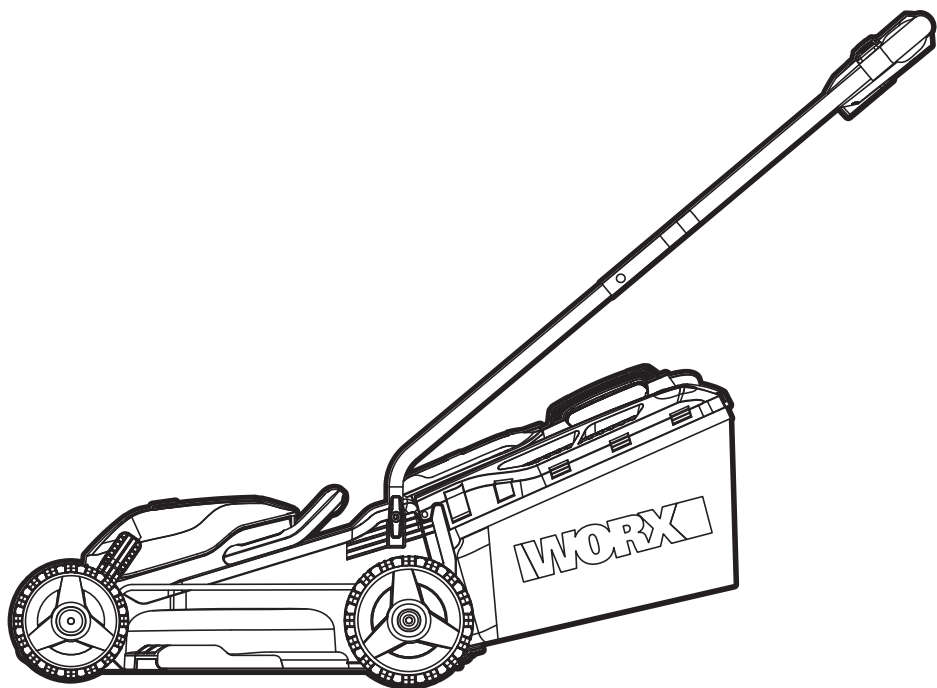


WORX®



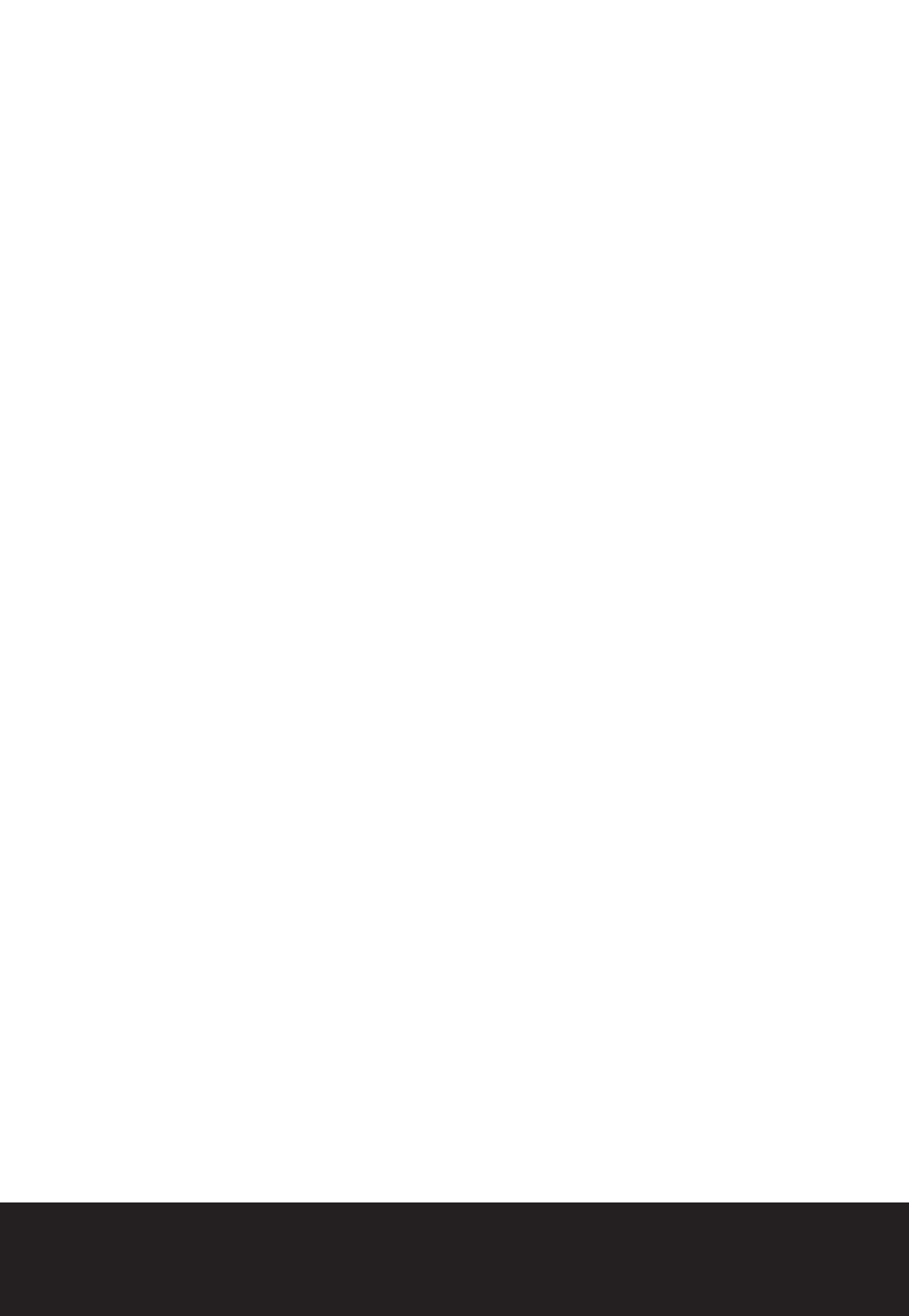
20V^{MAX}
POWER
MODULE


2 in 1 Cordless Lawn Mower	EN	P03
Tondeuse à gazon sans fil 2 en 1	F	P22
Cortacésped sin cables 2 en 1	ES	P37



HELPLINE NUMBER
NUMÉRO DU SERVICE D'ASSISTANCE
NUMERO DE LINEA DE AYUDA
1-866-354-WORX (9679)


WG779 WG779.9




 **WARNING: Some dust created by power sanding, sawing, grinding, drilling and other construction activities contains chemicals known to the state of California to cause cancer, birth defects or other reproductive harm. Some examples of these chemicals are:**


- Lead from lead-based paints;
- Crystalline silica from bricks and cement and other masonry products;
- Arsenic and chromium from chemically-treated lumber.


Your risk from these exposures varies, depending on how often you do this type of work. To reduce your exposure to these chemical: work in a well ventilated area, and work with approved safety equipment, such as those dust masks that are specially designed to filter out microscopic particles.


 **WARNING:** This product can expose you to chemicals including lead, phthalate or bisphenol A which are known to the State of California to cause cancer, birth defects or other reproductive harm. **Wash your hands after use.** For more information go to www.P65Warnings.ca.gov.

READ ALL INSTRUCTIONS

 **WARNING:** When using electric lawn mowers, basic safety precautions should always be followed to reduce the risk of fire, electric shock, and personal injury, including the following:

 **WARNING:** Risk of injury could occur if the lawn mower is operated without the catcher assembly attached.

 **WARNING:** The use of any other accessory or attachment might increase the risk of injury

 **CAUTION:** For battery-operated lawn mowers, use only identical replacement batteries and specifying the battery type and manufacturer.

FOR ALL LAWN MOWERS

- 1) Avoid dangerous environment - Don't use lawn mowers in damp or wet locations.
- 2) Don't Use In Rain.
- 3) Keep children away - All visitors should be kept a safe distance from work area.

- 4) Dress properly - Do not wear loose clothing or jewelry. They can be caught in moving parts. Use of rubber gloves and footwear is recommended when working outdoors.
- 5) Use safety glasses - Always use face or dust mask if operation is dusty.
- 6) Use right appliance - Do not use lawn mower for any job except that for which it is intended.
- 7) Don't Force Lawn Mower - It will do the job better and safer at the rate for which it was designed.
- 8) Don't overreach - Keep proper footing and balance at all times.
- 9) Stay alert - Watch what you are doing. Use common sense. Do not operate lawn mower when you are tired.
- 10) Store Idle Lawn Mower Indoors - When not in use, lawn mower should be stored in an indoor dry and locked-up place - out of reach of children.
- 11) Maintain lawn mower with care - Keep cutting edges sharp and clean for best and safest performance. Follow instructions for lubricating and changing accessories. Keep handles dry, clean, and free from oil and grease.
- 12) Keep guards in place and in working order.
- 13) Keep blades sharp.
- 14) Keep hands and feet away from cutting area.
- 15) Objects struck by the lawn mower blade can cause severe injuries to persons. The lawn mower should always be carefully examined and cleared of all objects prior to each mowing.
- 16) If lawn mower strikes a foreign object, follow these steps:
 - i) Stop lawn mower. Release the switch.
 - ii) Remove battery pack.
 - iii) Inspect for damage.
 - iv) Repair any damage before restarting and operating the lawn mower.
- 17) Use identical replacement blades only.

SUPPLEMENT SA-BATTERY-OPERATED LAWN MOWERS

- a) Do not charge lawn mower in rain, or in wet locations.
- b) Do not use battery-operated lawn mower in rain.
- c) Remove or disconnect battery before servicing, cleaning, or removing material from the lawn mower.

FOR ALL BATTERY-OPERATED PRODUCTS EMPLOYING A DETACHABLE OR SEPARABLE BATTERY

- a) Use only the following type and size battery: WA3520, WA3525, WA3575, WA3578, WA3577, WA3671.
- b) Do not dispose of the battery in a fire. The cell may explode. Check with local codes for possible special disposal instructions.
- c) Do not open or mutilate the battery. Released electrolyte is corrosive and may cause damage to the eyes or skin. It may be toxic if swallowed.
- d) Exercise care in handling batteries in order not to short the battery with conducting materials such as rings, bracelets, and keys. The battery or conductor may overheat and cause burns.

Safety instructions for walk-behind mowers

IMPORTANT

Safe Practices for Walk-Behind Mowers

I. GENERAL OPERATION

1. Read, understand, and follow all instructions on the machine and in the manual(s) before starting.
2. Do not put hands or feet near or under the machine. Keep clear of the discharge opening at all times.
3. Only allow responsible adults, who are familiar with the instructions, to operate this machine.
4. Clear the area of objects such as rocks, wire, toys, etc., which could be thrown by the blade. Stay behind the handle when the motor is running.
5. Be sure the area is clear of bystanders before operating. Stop machine if anyone enters the area.
6. Do not operate machine barefooted or while wearing sandals. Always wear substantial footwear.
7. Do not pull machine backward unless absolutely necessary. Always look down and behind before and while moving backward.
8. Never direct discharged material toward anyone. Avoid discharging material against a wall or obstruction. Material may

ricochet back toward the operator. Stop the blade when crossing gravel surfaces.

9. Do not operate machine without the entire grass catcher, discharge guard, rear guard, or other safety protective devices in place and working.
10. Never leave a running machine unattended.
11. Stop the motor and wait until the blade comes to a complete stop before cleaning the machine, removing grass catcher, or unclogging the discharge guard.
12. Operate machine only in daylight or good artificial light.
13. Do not operate machine while under the influence of alcohol or drugs.
14. Never operate mower in wet grass. Always be sure of your footing; walk; never run.
15. Disengage the drive system, if so equipped, before starting the motor.
16. If the machine should start to vibrate abnormally, stop the motor and check for the cause immediately. Vibration is generally a warning of trouble.
17. Always wear eye protection when operating machine.
18. See manufacturer's instructions for proper operation and installation of accessories. Only use accessories approved by the manufacturer.

II. SLOPE OPERATION

Slopes are a major factor related to slip and fall accidents, which can result in severe injury. Operation on all slopes requires extra caution. If you feel uneasy on a slope, do not mow it.

1. Mow across the face of slopes; never up and down. Exercise extreme caution when changing direction on slopes.
2. Watch for holes, ruts, bumps, rocks, or other hidden objects. Uneven terrain could cause a slip and fall accident. Tall grass can hide obstacles.
3. Do not mow on wet grass or excessively steep slopes. Poor footing could cause a slip and fall accident.
4. Do not mow near drop-offs, ditches, or embankments. You could lose your footing or balance.

III. CHILDREN

Tragic accidents can occur if the operator is

not alert to the presence of children. Children are often attracted to the machine and the mowing activity. Never assume that children will remain where you last saw them.

1. Keep children out of the mowing area and under the watchful care of a responsible adult other than the operator.
2. Be alert and turn mower off if a child enters the area.
3. Never allow children to operate the machine.
4. Use extra care when approaching blind corners, shrubs, trees, or other objects that may block your view of a child.

IV. SERVICE

GENERAL SERVICE

1. Keep all nuts and bolts tight to be sure the equipment is in safe working condition.
2. Never tamper with safety devices. Check their proper operation regularly.
3. Keep machine free of grass, leaves, or other debris build-up.
4. If you strike a foreign object, stop and inspect the machine. Repair, if necessary, before starting.
5. Never make any adjustments or repairs with the motor running.
6. Always unplug electric mowers before adjusting, cleaning, or repairing.
7. Check grass catcher components and the discharge guard frequently and replace with manufacturer's recommended parts, when necessary.
8. Mower blades are sharp. Wrap the blade or wear gloves, and use extra caution when servicing them.
9. Maintain or replace safety and instruction labels, as necessary.

Safe operation practices for walk-behind mowers

1. Safety Instructions

1.1 Training

- a) Read the operating and service instruction manual carefully. Be thoroughly familiar with the controls and the proper use of the equipment.
- b) Never allow children to operate a power mower.
- c) Keep the area of operation clear of all persons, particularly small children, and pets.

- d) Do not use a mower for any job except that for which it is intended.

1.2 Preparation

- a) Thoroughly inspect the area where the equipment is to be used and remove all stones, sticks, wires, bones, and other foreign objects.
- b) Do not operate the equipment when barefoot or wearing sandals. Always wear substantial footwear.
- c) Disengage the self-propelled mechanism or drive clutch on units so equipped before starting the motor.
- d) Never attempt to make a wheel height adjustment while the motor is running.
- e) Mow only in daylight or in good artificial light.
- f) Never operate the equipment on wet grass. Always be sure of your footing. Keep a firm hold on the handle and walk, never run.

1.3 Operation

- a) Do not put hands or feet near or under rotating parts. Keep clear of the discharge opening at all times.
- b) Stop the blade(s) when crossing gravel drives, walks, or roads.
- c) After striking a foreign object, stop the motor, unplug, thoroughly inspect the mower for any damage, and repair the damage before restarting and operating the mower.
- d) If the equipment should start to vibrate abnormally, stop the motor and check immediately for the cause. Vibration is generally a warning of trouble.
- e) Stop the motor and unplug whenever you leave the equipment, before cleaning the mower housing, and before making any repairs or inspections.
- f) Shut the motor off and wait until the blade comes to a complete stop before removing the grass catcher or before unclogging the chute.
- g) Mow across the face of slopes, never up and down. Exercise extreme caution when changing direction on slopes. Do not mow excessively steep slopes.
- h) Never operate the mower without proper

guards, plates, or other safety protective devices in place.

- i) Do not wash with a hose, avoid getting water in motor and electrical connections.

1.4 Maintenance

- a) Check the blade and the motor mounting bolts at frequent intervals for proper tightness.
- b) Keep all nuts, bolts, and screws tight to be sure the equipment is in safe working condition.
- c) Check bag frequently for deterioration and wear, and replace worn bags. Check that replacement bags comply with the original manufacturer's recommendations or specifications.
- d) Replace the blade if it is bent or cracked. An unbalanced blade causes vibration that could damage the motor drive unit or cause personal injury.
- e) Sharpen a dull blade equally at each end to maintain the balance.
- f) Clear the blade thoroughly and check its balance by supporting it horizontally on a thin nail through its centre hole. The nail should also be in a horizontal position. If either end of the blade rotates downward, remove some metal from the heavy or lower end until the blade is balanced. It is balanced when neither end drops.

SAVE THESE INSTRUCTIONS

GENERAL SAFETY WARNINGS FOR BATTERY PACK



WARNING: Read all safety warnings and instructions. Failure to follow the warnings and instructions may result in electric shock, fire and/or serious injury. Save all warnings and instructions for future reference.

- 1) **WARNING: Risk of fire and burns. Do not disassemble, heat above 100°C (212°F), or incinerate. Do not expose cells or batteries to heat or fire. Avoid storage in direct sunlight.**
- 2) **Dispose of used battery promptly..**


When disposing of secondary cells or batteries, keep cells or batteries of different electrochemical systems separate from each other.





- 3) **Keep battery out of reach of children and in original package until ready to use.**
- 4) **Never put batteries in mouth. If swallowed, contact your physician or local poison control center.**
- 5) **CAUTION – The battery used in this device may present a risk of fire or chemical burn if mistreated. Replace battery with WORX only. Use of another battery may present a risk of fire or explosion.**
- 6) **WARNING: Do not use a visibly damaged battery pack or appliance as applicable.**
- 7) **WARNING: Do not modify or attempt to repair the appliance or the battery pack as applicable.**
- 8) **BATTERY MUST BE RECYCLED.**
- 9) **Do not short-circuit a cell or battery. Do not store cells or batteries haphazardly in a box or drawer where they may short-circuit each other or be short-circuited by conductive materials.**
- 10) **Do not subject cells or batteries to mechanical shock.**
- 11) **Keep cells and batteries clean and dry. Wipe the cell or battery terminals with a clean dry cloth if they become dirty.**
- 12) **Do not maintain secondary cells and batteries on charge when not in use.**
- 13) **Retain the original cell and battery literature for future reference.**
- 14) **Do not use any charger other than that specifically provided for use with the equipment.** Secondary cells and batteries need to be charged before use. Always use the correct charger and refer to the manufacturer's instructions or equipment manual for proper charging instructions.
- 15) When possible, remove the battery from the equipment when not in use.
- 16) Prevent unintentional starting. Ensure the switch is in the off-position before

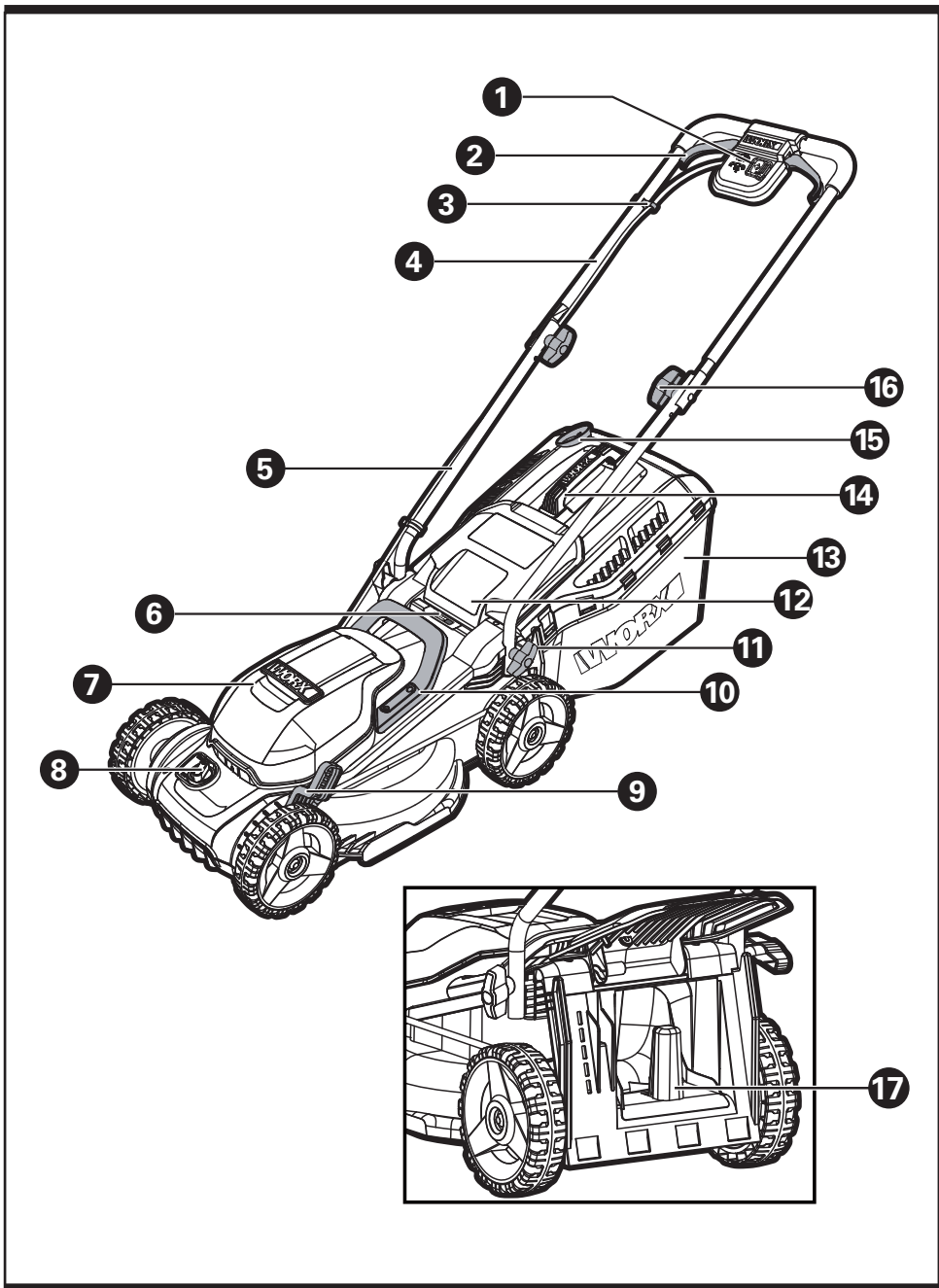
connecting to battery pack, picking up or carrying the appliance. Carrying the appliance with your finger on the switch or energizing appliance that have the switch on invites accidents.

- 17) Disconnect the battery pack from the appliance before making any adjustments, changing accessories, or storing appliance. Such preventive safety measures reduce the risk of starting the appliance accidentally.
- 18) Under abusive conditions, liquid may be ejected from the battery; avoid contact. If contact accidentally occurs, flush with water. If liquid contacts eyes, additionally seek medical help. Liquid ejected from the battery may cause irritation or burns.
- 19) Have servicing performed by a qualified repair person using only identical replacement parts. This will ensure that the safety of the product is maintained.

SYMBOLS

	CPSC Danger label.
	Severing of toes or fingers-Rotary mower blade.
	Thrown objects from mower deck.
	Keep bystanders/children away.
	Safety alert.
	Slip on slope.
	Read the operator's manual.

	To reduce the risk of injury, user must read instruction manual
	Do not expose to rain or water
	Do not burn
	Li-Ion battery, battery must be recycled
	Wear protective gloves
	Remove battery from the socket before carrying out any adjustment, servicing or maintenance.
	Blade continues to rotate after the machine is switched off. Wait until all machine components have completely stopped before touching them
	Remove the key
	<p>call2recycle[®]</p> <p>POSITEC Inc. has established a partnership with the RBRC Corporation to recycle any Positec batteries with the RBRC-call2recycle seal. For environmental protection, please do not discard batteries in the trash. After the batteries' life cycle is ended, then please call 1-800-822-8837 for a free service that will properly dispose of the battery.</p>



-
- 1. SAFETY KEY**

 - 2. SWITCH LEVER**

 - 3. CABLE CLIP**

 - 4. UPPER HANDLE**

 - 5. LOWER HANDLE**

 - 6. BATTERY POWER INDICATOR**

 - 7. BATTERY PACK COVER**

 - 8. INTELICUT DIAL**

 - 9. CUTTING HEIGHT ADJUSTMENT KNOB**

 - 10. CARRY HANDLE**

 - 11. HANDLE KNOB, LOWER**

 - 12. SAFETY FLAP**

 - 13. GRASS COLLECTION BAG**

 - 14. BAG HANDLE**

 - 15. GRASS BAG INDICATOR**

 - 16. HANDLE KNOB, UPPER**

 - 17. MULCHING INSERT**

 - 18. BATTERY PACK*(See Fig. E)**

 - 19. BLADE BOLT (See Fig. P1)**

 - 20. BLADE (See Fig. P1)**
-

*** Not all the accessories illustrated or described are included in standard delivery.**

TECHNICAL DATA

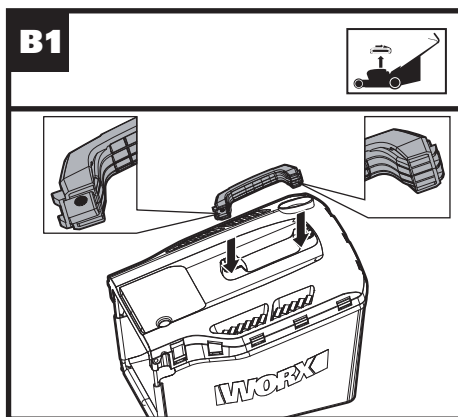
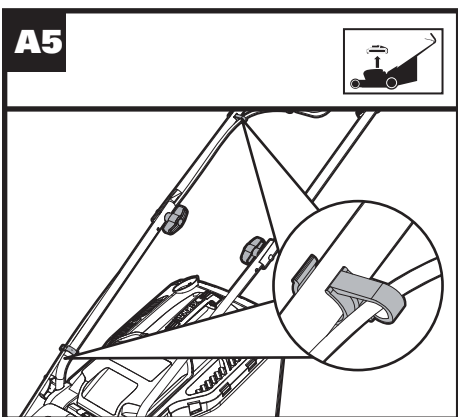
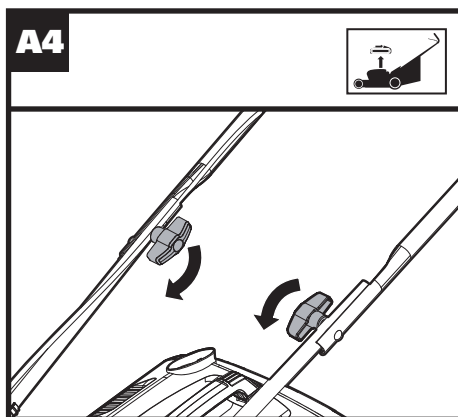
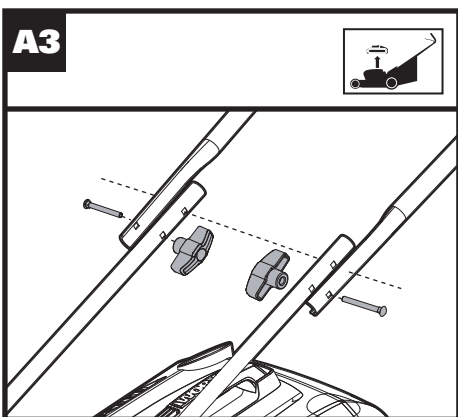
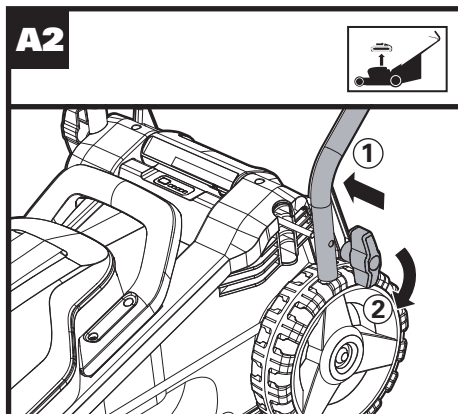
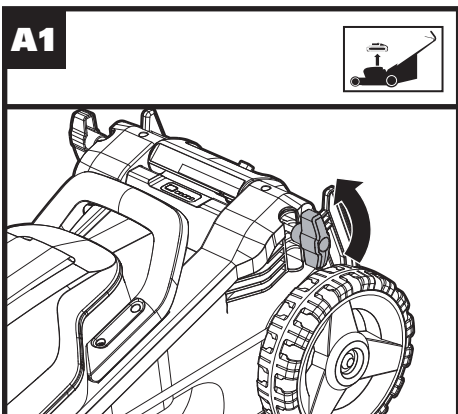
	WG779	WG779.9
Rated voltage	40V --- Max.(2x20V Max.)**	
No load speed	3300 / 3700/min	
Deck diameter	14"	
Cutting diameter	13"	
Cutting height	1-1/2"~3-1/2"	
Cutting height positions	6	
Front wheel diameter	6.3"	
Rear wheel diameter	7"	
Grass collection capacity	0.85 bushels (30L)	
Battery capacity	4.0Ah (WA3578)	/
Battery type	Lithium-Ion	/
Charger model	WA3875	/
Charger rating	Input: AC 120V~60Hz, Output: 20V --- DC, 2.0 A	/
Charging time Battery pack: 4.0Ah (1pc) 4.0Ah (2pcs)	2hrs 4hrs	/
10 Machine Weight	29.1lbs	26.2lbs

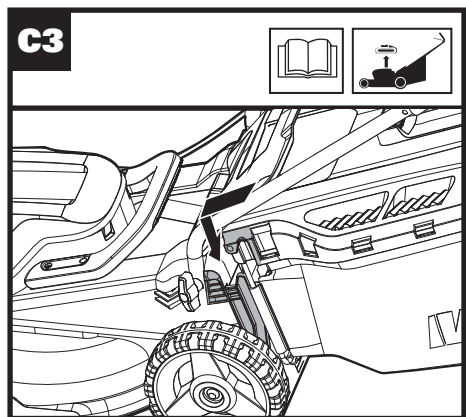
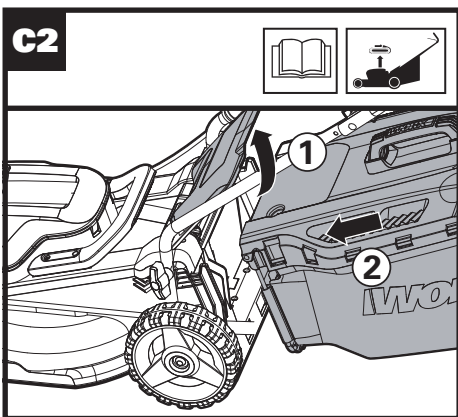
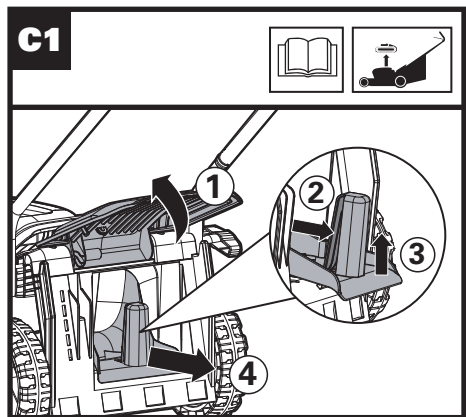
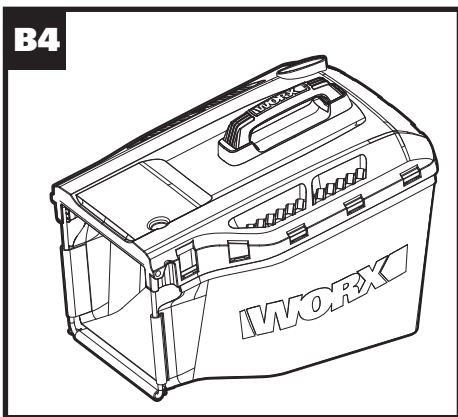
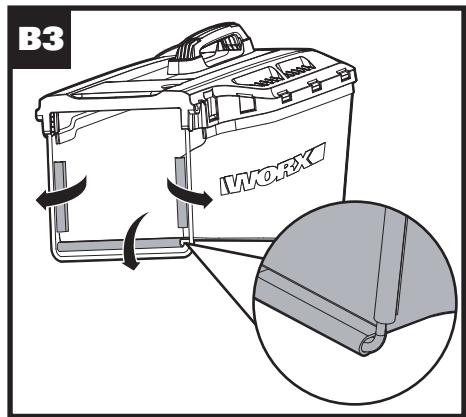
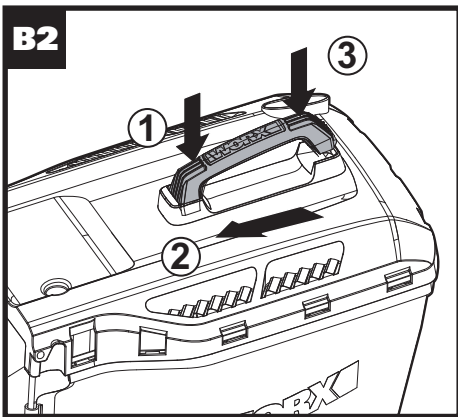
**Voltage measured without workload. Initial battery voltage reaches maximum of 20 volts. Nominal voltage is 18 volts.

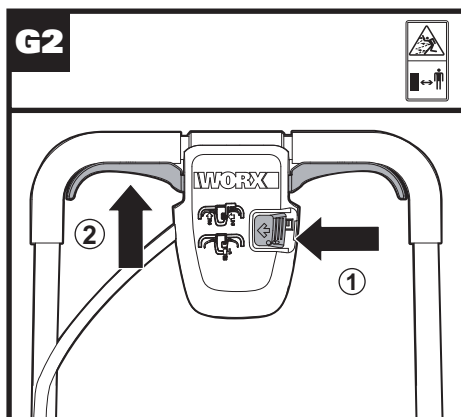
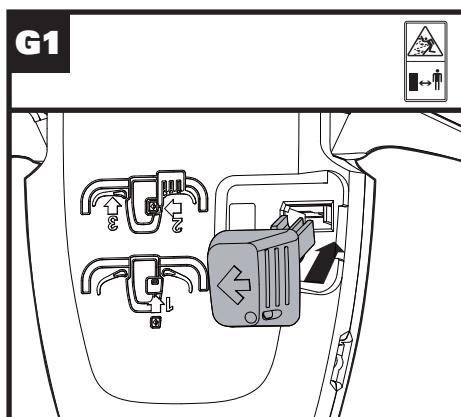
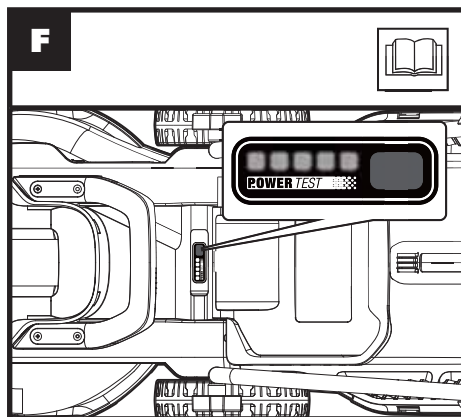
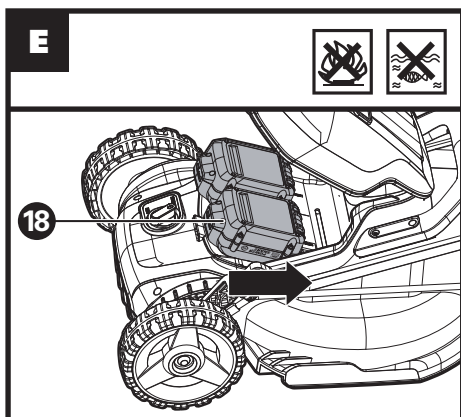
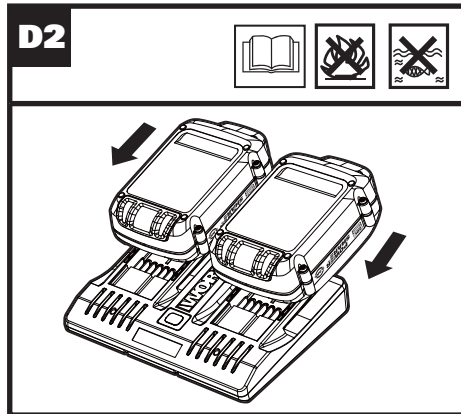
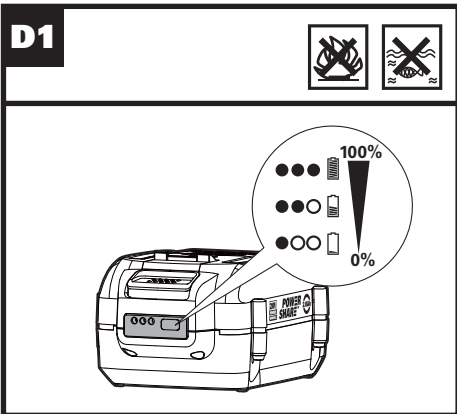
ACCESSORIES

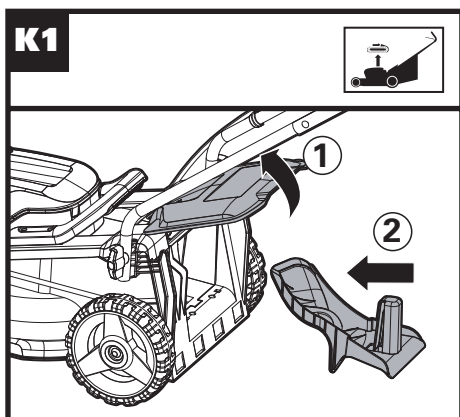
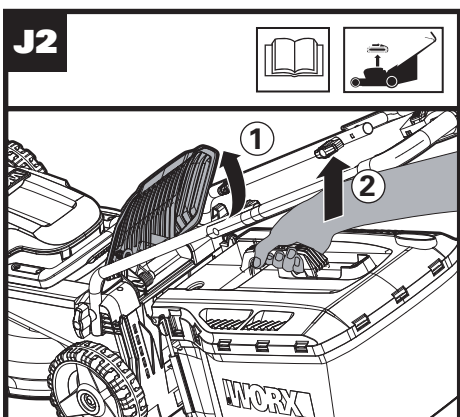
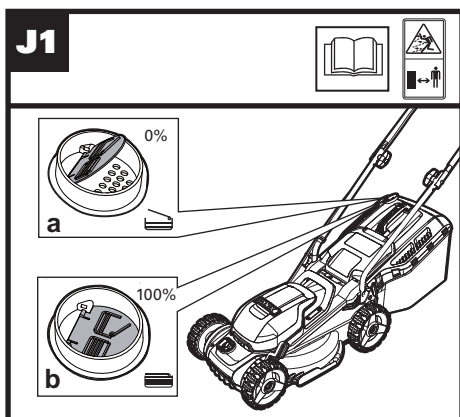
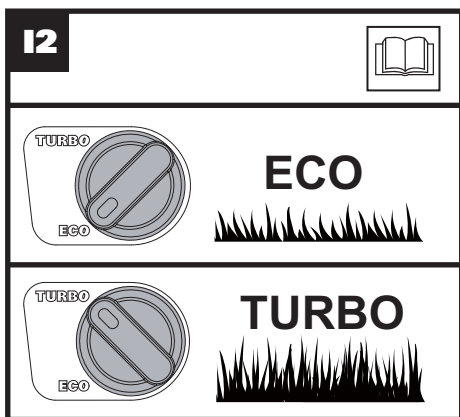
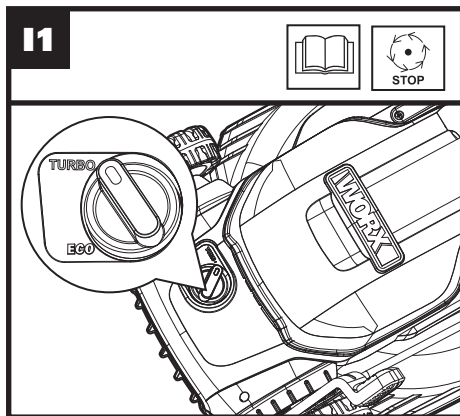
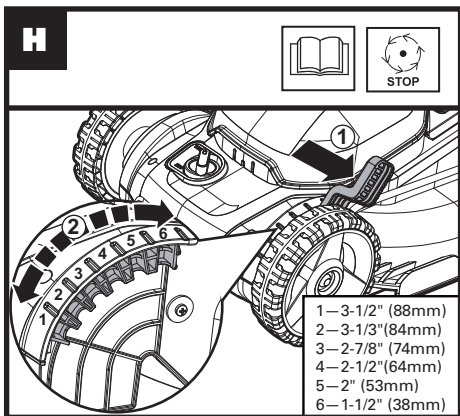
	WG779	WG779.9
Battery pack (WA3578)	2	/
Charger (WA3875)	1	/
Grass collection bag	1	
Mulching insert	1	
Cable clip	2	

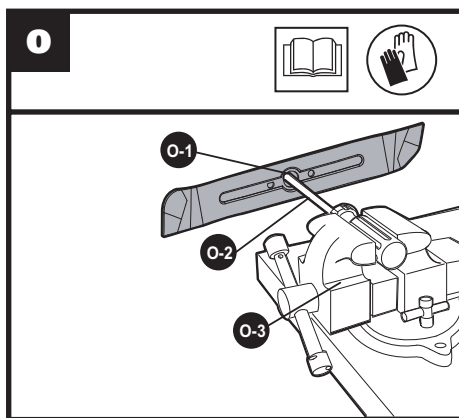
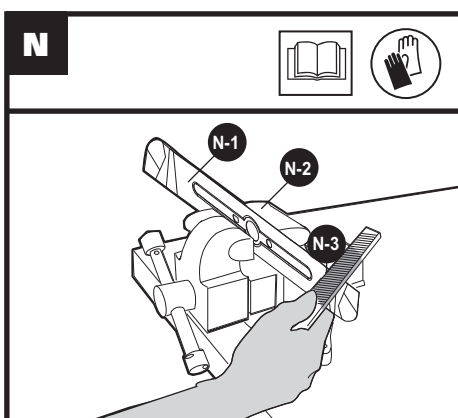
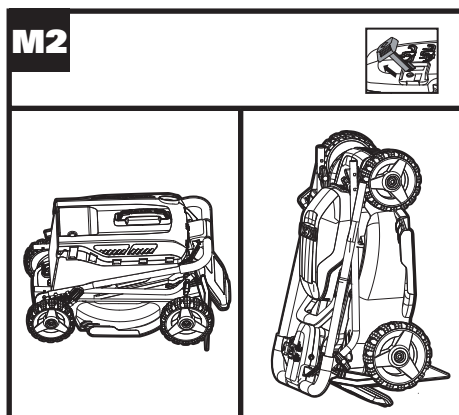
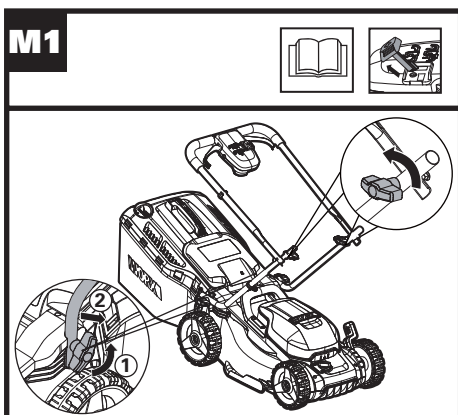
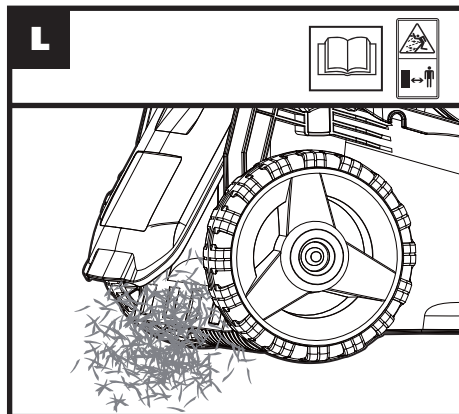
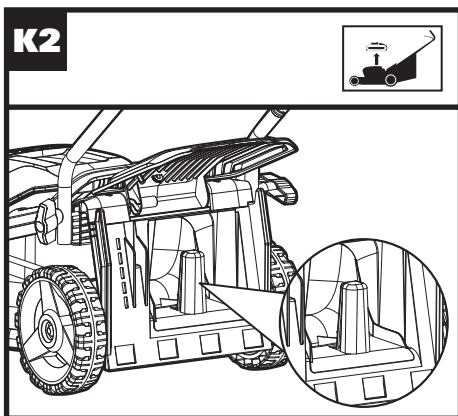
Only use the appropriate accessories intended for this tool. Accessory information can be found on the product packaging, at a WORX dealer or on our website at www.worx.com.

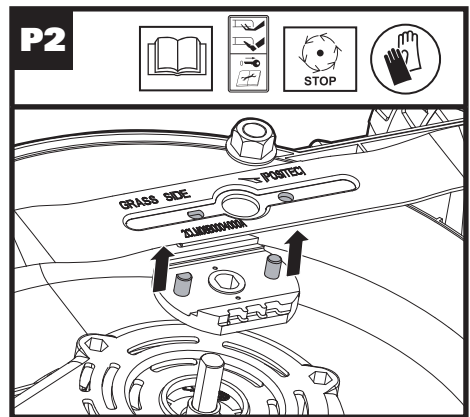
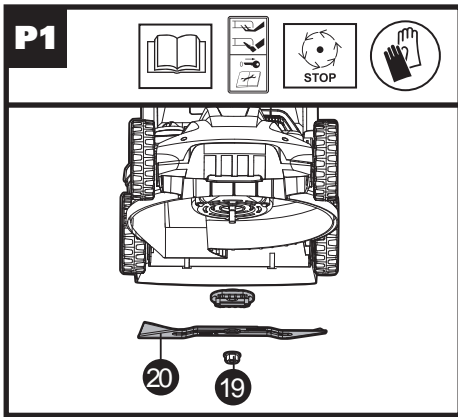













OPERATION INSTRUCTION







NOTE: Read instruction handbook before operation this machine.

ASSEMBLY AND OPERATION

ACTION	FIGURE
ASSEMBLY	
Assembling the handle bar NOTE: Choose one of the two holes in the lower handle for desired handle's height.	See Fig. A1, A2, A3, A4, A5
Assembling grass collection bag	See Fig. B1, B2, B3, B4
Fitting grass collection bag to the lawn mower NOTE: Depress the grass collection bag slightly to ensure that it is completely installed. NOTE: Take the mulching insert out of the lawn mower before fitting the grass collection bag.	See Fig. C1, C2, C3
Checking the battery charge condition NOTE: Fig. D1 only applies for the battery pack with battery indicator light.	See Fig. D1
Charging the battery pack NOTE: The batteries are shipped uncharged. Each battery must be fully charged before the first mow. Always fully charge the two batteries at same time. More details can be found in charger's manual.	See Fig. D2
Fitting/removing battery NOTE: This machine will only run when 2 batteries are installed. Please always use two batteries with the same capacity and fully charge the two batteries. Using two different sized batteries or if one battery isn't fully charged then the machine will only run to the lowest common denominator.	See Fig. E

OPERATION	
Battery power indicator on the machine See details in BATTERY STATUS part IMPORTANT When only one light is illuminated, at least one battery is depleted and needs to be charged, even though the mower may still be capable of cutting grass. Continuing to operate your lawnmower with the battery in this discharged condition may reduce the life and performance of your battery. When no light is illuminated, at least one battery is not fully installed or battery may be defective, please double check the batteries are fully seated into position.	See Fig. F
Starting & stopping	See Fig. G1, G2
Adjusting the cutting height  WARNING! Stop, release switch lever and wait until the motor stops before adjusting height. The blades continue to rotate after the machine is switched off, a rotating blade can cause injury. Do not touch rotating blades.	See Fig. H
Selecting the intellicut dial ECO mode Select ECO mode when mowing in everyday conditions, removing approximately 1" of grass at a time. TURBO mode Set the dial to TURBO mode when cutting dense or overgrown grass.	See Fig. I1, I2

Grass bag filling indicator Empty status: flap floats (a) 	See Fig. J1
Fully status: flap falls down (b) 	
Removing/emptying grass collection bag  WARNING! Always check the safety flap close the discharge outlet before using. Never lift the safety flap when the lawn mower is being used without fitted grass collection bag.	See Fig. J2
Installing the mulching insert	See Fig. K1, K2
Rear discharge NOTE: Remove the mulching insert firstly.	See Fig. L
Storage	See Fig. M1, M2

Only one green light  is illuminated.	At least one battery is depleted and needs to be charged.
No light is illuminated.	At least one battery is not fully installed or battery may be defective.
Only one light is flashing twice per cycle.	At least one battery is over discharged (please refer to the battery charge condition), please recharge the two batteries at once before use again or storage.
Only one light is flashing three times per cycle.	At least one battery is hot, wait for them cool down before start again.
Only one light is flashing four times per cycle.	The machine is over load. Raise the cutting height or push slowly.

MULCHING MOWING TIPS


When using the mulching plug, your new mower is designed to cut the grass clippings into small pieces and distribute them back into the lawn, using mulching fins located inside the mower deck.

Under normal conditions, the mulched grass will biodegrade quickly to provide nutrients to the lawn. Please review the following recommendations for optimum mulching performance.

- 1) Avoid mowing when the grass is wet from rain or dew. Wet grass may form clumps which interfere with the mulching action and reduce runtime. The best time to mow grass is in the late afternoon when the grass is dry and the newly cut area will not be exposed to direct sunlight.
- 2) For best mulching performance, set the cutting height to remove about one third of the grass blade length. If the lawn is overgrown, it may be necessary to increase the cut height to reduce the pushing effort and prevent overloading the motor. For extremely heavy mulching, it is advisable to first cut at a high cut height setting, and then re-cut to the final

18 BATTERY STATUS (See Fig. F)

Before starting or after use, press the button "POWERTEST" on the machine to check the battery capacity. During operation, the battery capacity will be indicated automatically by the battery power indicator. The indicator constantly senses and displays the battery condition as follows:

Battery power indicator status	Battery condition
Five green lights  are illuminated.	The two batteries are in a highly charged condition.
Two, three or four green lights are illuminated.	The two batteries have a remaining charge. The more lights are illuminated, the more battery capacity.

cut height. Otherwise, make narrower cuts and mow slowly.

- 3) For best performance, keep the mower housing free of built-up grass. From time to time turn off mower and wait for the blade to come to a complete stop. Then unplug the Safety Key and turn mower on its side. Using an object such as a stick, wipe out any accumulation of grass in the blade area. Be careful of the sharp edges of the blade. Clean often in wet, new grass, and always after every use.
- 4) Certain types of grass or grass conditions may require that an area be mulched a second time to fully disperse the grass throughout the lawn. If cutting a second time, it is advisable to cut perpendicular (across) the first cut pattern. **DO NOT CHANGE CUT PATTERN IN ANY WAY THAT WOULD CAUSE MOWING DOWN A HILL.**
- 5) Change your cutting pattern from week to week. This will help prevent matting and graining of the lawn.

CUTTING AREA

The cutting area can be affected by many factors including: cutting height, operation practices (ex: starting/stopping), lawn moisture levels, grass length and thickness. The below table provides the potential cutting areas based on specific cutting conditions.

Cutting Height	Recommend lot size (maximum)
	With 2*20V/4.0Ah batteries
Cutting off 3.3"(84mm) to 2.5"(64mm)	up to 5000 sq.ft. (460m ²) *

* Used with two fully charged battery packs.

TIPS:

- 1) Mowing the lawn frequently and reducing the amount of starting/stopping procedures will help conserve battery runtime. It is recommended to always use the same two batteries during operation with fully charged levels.
- 2) For the best cutting performance, it is

recommended to only mow up to 1/3 or less of the current grass height at a time. Mow at a slower pace when cutting long/thick grass to allow the mower to properly discharge the clippings.

MAINTENANCE



WARNING: Stop the mower and remove the safety key before removing the grass bag.

NOTE: To ensure long and reliable service, perform the following maintenance procedures regularly. Check for obvious defects such as a loose, dislodged or a damaged blade, loose fittings, and worn or damaged components. Check that the covers and guards are all undamaged and are correctly attached to mower. Carry out any necessary maintenance or repairs before operating mower. If the mower should happen to fail despite regular maintenance, please call our customer helpline for advice.

BLADE SHARPENING

KEEP BLADE SHARP FOR BEST MOWER PERFORMANCE.

WEAR PROPER EYE PROTECTION WHILE REMOVING, SHARPENING, AND INSTALLING BLADE. ENSURE THAT SAFETY KEY IS REMOVED.

Sharpening the blade twice during a mowing season is usually sufficient under normal circumstances. Sand causes the blade to dull quickly. If your lawn has sandy soil, more frequent sharpening may be required. REPLACE BENT OR DAMAGED BLADE IMMEDIATELY.

WHEN SHARPENING THE BLADE:

1. Make sure blade remains balanced.
2. Sharpen blade at the original cutting angle.
3. Sharpen cutting edges on both ends of blade, removing equal amounts of material from both ends.

NOTE:

1. Be sure the mower is turned off and remove the key.
2. Place the mower in stand up storage mode.

TO SHARPEN BLADE IN A VISE (See Fig. N)

1. Be sure the switch lever is released, the blade has stopped and the safety key removed before removing the blade.
2. Remove blade from mower. See instructions for removing and attaching blade.
3. Secure blade N-1 in a vise N-2.
4. Wear safety glasses and be careful not to cut yourself.
5. Carefully file the cutting edges of the blade with a fine tooth file N-3 or sharpening stone.
6. Check balance of blade. See instructions for blade balancing.
7. Replace blade on mower and tighten securely. Refer to instructions below.

BLADE BALANCING (See Fig. O)

Check balance of blade by placing center hole in blade O-1 over a nail or screwdriver shank O-2, clamped horizontally in a vise O-3. If either end of the blade rotates downward, file that end. Blade is properly balanced when neither end drops.

BLADE MAINTENANCE (See Fig. P1, P2)

Renew your metal blade after 50 hours mowing or 2 years, whichever is the sooner

regardless of condition.

Follow these procedures to remove and replace the blade. You will need garden gloves (not provided) and a spanner wrench (not provided) to remove the blade. Hold the blade (20) and unscrew the blade bolt (19) counter-clockwise using a spanner wrench, and then remove blade.

To re-assemble, position the blade (20) with the cutting edges towards the ground. Then securely tighten the blade bolt (19).

STORAGE (See Fig. M1, M2)

Stop the mower and always remove the safety key. Clean the exterior of the machine thoroughly using a soft brush and cloth. Do not use water, solvents or polishes. Remove all grass and debris, especially from the ventilation slots.

Turn the machine on its side and clean the blade area. If grass cuttings are compacted in the blade area, remove with a wooden or plastic implement.

Store the machine in a dry place. Do not place other objects on top of the machine.

To aid storage, release the handle knob, and fold the upper handle as shown in Fig. M1 & M2 .

TROUBLE SHOOTING

Problem	Solution
1. Mower doesn't run when switch lever is activated.	A. Check to make sure safety key has been installed and is fully seated and that button on switch housing is being completely pushed. B. Release Switch Lever to turn mower off. Remove safety key, turn mower over and check that blade is free to turn. If not free, return to an authorized servicer. Blade should turn freely. C. Has battery been fully charged? Plug in charger and wait for green light to come on.
2. Motor stops while mowing.	A. Release Switch Lever to turn mower off. Remove safety key, turn mower over and check that blade is free to turn. If not free, return to an authorized servicer. Blade should turn freely. B. Raise cutting height of wheels to highest position and start mower. C. Has battery been fully charged? Plug in charger and wait for green light to come on. D. Avoid overloading the mower. Slow down the cutting pace by pushing mower slower or raise the cut height. Or both.

3. Mower runs but cutting performance is unsatisfactory, or does not cut entire lawn.	A. Has battery been fully charged? Plug in charger and wait for green light to come on. B. Release Switch Lever to turn mower off. Remove safety key. Turn mower over and check: Blade for sharpness - Keep blade sharp. Deck and discharge chute for clogging. C. Wheel height adjustment may be set too low for grass condition. Raise cutting height.
4. Mower is too hard to push.	A. Raise cutting height to reduce deck drag on grass. Check each wheel for free rotation.
5. Mower is abnormally noisy and vibrates.	A. Release Switch Lever to turn mower off. Remove safety key. Turn mower on side and check blade to ensure it has not been bent or damaged. If blade is damaged, replace with a replacement blade. If the underside of the deck is damaged return mower to an Authorized service center. B. If there is no visible damage to the blade and the mower still vibrates: Release Switch Lever to turn mower off, remove safety key and remove blade. Rotate blade 180 degrees and retighten. If mower still vibrates, return the mower to an authorized service center.
6. Battery charger LED's not on.	A. Check plug connection. B. Replace charger.
7. Battery charger LED does not flip to green.	A. Battery needs to be diagnosed. Take to authorized service center.
8. Mower not picking up clippings with the Grass Collection Bag.	A. Remove mulch plate when bagging. B. Chute clogged. Release Switch Lever to turn mower off. Remove safety key. Clear chute of grass clippings. C. Too much cut grass. Raise cutting height of wheels to shorten length of the cut. D. Bag full. Empty bag more often.
9. When mulching there are clippings visible.	A. Too much cut grass. Raise cutting height of wheels to shorten length of the cut. Do not cut off more than 1/3 of total length. B. Check blade for sharpness. Always keep blade sharp.
10. Low or diminished run-time after many uses.	A. Return to Authorized Service location - may need new battery.
11. The battery charger LED flashes red and the battery can't be charged.	A. The battery overheats after continuous use. Remove battery from the charger and allow it to cool to 42°C or less.



AVERTISSEMENT! Certaines des poussières produites en utilisant des outils électriques sont considérées par l'État de Californie comme susceptibles de provoquer le cancer, des anomalies congénitales et d'autres problèmes de reproduction. Voici des exemples de ces produits chimiques:

- plomb issu de peinture à base de plomb
- silice cristalline issue de briques et de ciment et autres produits de maçonnerie
- arsenic et chrome issus de bois traité chimiquement

Votre risque de ces expositions varie en fonction de la fréquence à laquelle vous effectuez ce travail. Pour réduire votre exposition à ces produits chimiques: travaillez dans une zone bien ventilée; portez un équipement de sécurité approuvé, tel que des masques antipoussières spécialement conçus pour éliminer les particules microscopiques par filtrage.



AVERTISSEMENT: Ce produit peut vous exposer à des produits chimiques, incluant au plomb, au phtalate ou au bisphénol A, qui sont reconnus dans l'État de Californie comme pouvant causer un cancer, des anomalies congénitales ou d'autres dommages à l'appareil reproducteur. **Assurez-vous de bien vous laver les mains après usage.** Pour en savoir plus, veuillez consulter le site www.P65Warnings.ca.gov.

LISEZ ET LISEZ ET ASSIMILEZ TOUTES LES INSTRUCTIONS



AVERTISSEMENT! Lors de l'utilisation d'appareils électriques de jardinage, des précautions de base doivent être observées afin de réduire les risques de feu, choc électrique, et blessure grave, incluant ce qui suit:



AVERTISSEMENT! L'emploi de la tondeuse sans sac de ramassage peut provoquer des risques de blessure.



AVERTISSEMENT! L'emploi de tout autre accessoire ou dispositif est susceptible d'augmenter les risques de blessure



AVERTISSEMENT! Pour les tondeuses à batterie, ne remplacez la batterie que par un modèle de remplacement identique, du même type et du même fabricant; installez

également les accessoires fournis pour retenir les rallonges électriques, le cas échéant.

POUR TOUTES LES TONDEUSES À GAZON

- 1) Évitez les environnements dangereux.- N'utilisez pas les appareils dans des endroits très humides ou mouillés.
- 2) N'utilisez pas sous la pluie.
- 3) Tenez les enfants éloignés.-Tous les visiteurs devraient être tenus éloignés de l'aire de travail.
- 4) Habillez-vous convenablement.-Ne portez pas des vêtements lâches ou des bijoux. Ils peuvent se prendre dans des pièces en mouvement. L'utilisation de gants de caoutchouc et chaussures épaisses est recommandée lors de travaux extérieurs. Portez une protection pour cheveux afin de contenir les cheveux longs.
- 5) Utilisez des lunettes de sécurité.-Toujours porter un masque de visage ou de poussière si l'opération est poussiéreuse.
- 6) Utilisez le bon appareil.-N'utilisez pas l'appareil pour tout autre travail que pour celui auquel il est destiné.
- 7) Ne forcez pas l'appareil-Il va faire un meilleur travail et avec moins de risques de blessure en travaillant au taux de charge pour lequel il a été conçu.
- 8) N'essayez pas d'utiliser l'appareil hors de votre portée normale.-Gardez votre équilibre et les pieds bien ancrés en tout temps.
- 9) Restez alerte.-Faites attention à ce que vous faites. Utilisez le bon sens. N'utilisez pas l'appareil lorsque vous êtes fatigué.
- 10) Entrez les appareils à l'intérieur des appareils qui ne sont pas utilisés.-Lorsqu'inutilisés, les appareils devraient être entreposés à l'intérieur dans un endroit sec, élevé et gardé sous clef, hors de la portée des enfants.
- 11) Entretenez les appareils avec soins.-Gardez les arêtes de coupe aiguisées et propres pour une meilleure performance et des risques réduits de blessure. Suivez les instructions pour lubrifier et changer les accessoires. Gardez les poignées sèches, propres, et libres d'huile et graisse.
- 12) Maintenez les gardes en place et en bon ordre de fonctionnement.
- 13) Gardez les lames aiguisées.
- 14) Gardez les mains et les pieds hors de

l'aire de coupe. Les objets frappés par la lame de la tondeuse à gazon peuvent causer des blessures graves aux gens.

- 15) La pelouse devrait toujours être examinée avec soin et débarrassée de tous objets avant chaque tonte.
- 16) Si la tondeuse à gazon frappe un corps étranger, suivez ces étapes :
 - i) Arrêtez la tondeuse à gazon. Relâchez le commutateur.
 - ii) Retrait du bloc de batterie.
 - iii) Inspectez pour dommages possibles.
 - iv) Réparez tout dommage avant de redémarrer et d'opérer la tondeuse à gazon.
- 17) Utilisez seulement des lames identiques de remplacement.

INSTRUCTIONS DE SÉCURITÉ POUR LES TONDEUSES À BATTERIE

- a) Ne rechargez pas la tondeuse sous la pluie ou dans un endroit humide.
- b) N'utilisez pas la tondeuse à batterie sous la pluie.
- c) Retirez ou débranchez la batterie avant d'effectuer une opération de maintenance, de nettoyage ou avant de démonter la tondeuse.

POUR TOUS LES APPAREILS FONCTIONNANT SUR BATTERIES, EMPLOYEZ UNE BATTERIE AMOVIBLE OU SÉPARABLE :

- a) N'utilisez que ce type de batterie: WA3520, WA3525, WA3575, WA3578, WA3577, WA3671
- b) Ne jetez pas la batterie au feu. Les cellules pourraient en effet exploser. Vérifiez les réglementations locales pour connaître les instructions de recyclage.
- c) Ne tentez pas de démonter ou de modifier la batterie. L'électrolyte qui se trouve dans la batterie est corrosive et peut être dangereuse pour la peau et pour les yeux. Elle peut également être toxique si avalée.
- d) Faites toujours très attention en manipulant la batterie afin de ne pas la mettre en court-circuit avec des matériaux conducteurs, comme une bague, un bracelet, ou des clefs. La batterie et le conducteur risqueraient de surchauffer et de causer des brûlures.

Instructions de sécurité pour les tondeuses poussées

IMPORTANT

Instructions de sécurité pour les tondeuses poussées

I. FONCTIONNEMENT GÉNÉRAL

1. Lisez, comprenez et suivez toutes les instructions concernant la machine et contenues dans le(s) manuel(s) avant de démarrer.
2. Ne placez pas les mains ou les pieds à proximité de la machine ou en dessous. Restez à distance de l'ouverture d'éjection à tout instant.
3. N'autorisez que des adultes responsables qui sont familiers avec les instructions à opérer cette machine.
4. Dégagez la zone d'objets comme des pierres, des câbles ou des jouets, etc..., qui pourraient être propulsés par la lame. Restez derrière la poignée quand le moteur tourne.
5. Assurez-vous qu'il n'y a pas de spectateurs dans la zone avant l'opération. Arrêtez la machine si quelqu'un pénètre dans la zone.
6. N'opérez pas la machine pieds nus ou si vous portez des sandales. Portez toujours des chaussures robustes.
7. Ne tirez pas la machine en arrière, à moins que ce soit indispensable. Regardez toujours vers le bas et en arrière avant et pendant un déplacement en arrière.
8. Ne dirigez jamais les matériaux éjectés vers quelqu'un. Évitez d'éjecter des matériaux contre un mur ou un obstacle. Les matériaux peuvent ricocher sur l'opérateur. Arrêtez la lame lorsque vous traversez des surfaces de gravier.
9. N'opérez pas la machine sans le ramasse-herbe, la chicane de décharge, la protection arrière ou autres dispositifs de protection de sécurité complets en place et en fonctionnement.
10. Ne laissez jamais une machine fonctionner sans surveillance.
11. Arrêtez le moteur et attendez que la lame s'arrête totalement avant de nettoyer la machine, de retirer le ramasse-herbe ou de dégager la chicane de décharge.
12. Opérez la machine à la lumière du jour ou sous un bon éclairage artificiel

uniquement.

13. N'opérez pas la machine lorsque vous êtes sous l'influence d'alcool ou de médicaments.
14. N'opérez jamais la tondeuse dans de l'herbe humide. Soyez toujours sûr(e) de votre appui ; marchez, ne courez jamais.
15. Débrayez le système d'entraînement, s'il y a, avant de démarrer le moteur.
16. Si la machine se met à vibrer de manière anormale, arrêtez le moteur et vérifiez immédiatement la cause. Les vibrations indiquent généralement un problème.
17. Portez toujours une protection pour les yeux quand vous opérez la machine.
18. Consultez les instructions du fabricant pour installer et opérer les accessoires de manière appropriée. N'utilisez que les accessoires approuvés par le fabricant.

II. FONCTIONNEMENT DANS UNE PENTE

Les pentes constituent un facteur majeur d'accidents par glissement et par chute, ce qui peut entraîner des blessures graves. Opérer dans des pentes exige une prudence extrême. Si vous ne vous sentez pas à l'aise dans une pente, ne la tondez pas.

1. Tondez la surface des pentes transversalement, jamais de haut en bas ou vice-versa. Soyez extrêmement vigilant(e) lorsque vous changez de sens dans des pentes.
2. Faites attention aux trous, ornières, bosses, pierres ou autres objets dissimulés. Un terrain inégal peut entraîner un accident par glissement et par chute. L'herbe haute peut dissimuler des obstacles.
3. Ne tondez pas de l'herbe humide ou dans des pentes excessivement raides. De mauvaises chaussures peuvent entraîner un accident par glissement et par chute.
4. Ne tondez pas à proximité de fossés, de rigoles ou de remblais. Vous pourriez perdre appui ou perdre l'équilibre.

III. ENFANTS

Des accidents graves peuvent survenir si l'opérateur n'est pas alerté de la présence d'enfants. Les enfants sont souvent attirés par la machine et par l'activité de tonte. Ne

supposez jamais que des enfants resteront au dernier endroit où vous les avez vus.

1. Gardez les enfants à distance de la zone de tonte et sous la surveillance d'un adulte responsable autre que l'opérateur.
2. Soyez alerté(e) et éteignez la tondeuse si un enfant pénètre dans la zone.
3. Ne laissez jamais les enfants opérer la machine.
4. Soyez extrêmement prudent(e) lorsque vous vous approchez de tournants sans visibilité, d'arbustes, d'arbres ou autres objets qui pourraient vous empêcher de voir la présence d'un enfant.

IV. ENTRETIEN ENTRETIEN GÉNÉRAL

1. Gardez tous les écrous et les boulons serrés pour être certain(e) que l'état de marche de l'équipement est sécurisé.
2. N'altérez jamais des dispositifs de sécurité. Vérifiez régulièrement qu'ils fonctionnent correctement.
3. Ne laissez pas d'herbe, de feuilles ou autres débris s'accumuler dans la machine.
4. Si vous heurtez un objet étranger, arrêtez la machine et inspectez-la. Le cas échéant, effectuez une réparation avant de démarrer.
5. Ne procédez jamais à des réglages ou des réparations avec le moteur en fonctionnement.
6. Débranchez toujours les tondeuses électriques avant d'effectuer un réglage, un nettoyage ou une réparation.
7. Vérifiez fréquemment les composants du ramasse-herbe et la chicane de décharge et remplacez-les avec des pièces recommandées par le fabricant lorsque c'est nécessaire.
8. Les lames de la tondeuse sont très coupantes. Emballez-les ou portez des gants et soyez extrêmement prudent(e) lorsque vous effectuez une procédure d'entretien sur les lames.
9. Maintenez ou remplacez les étiquettes de sécurité et de consignes selon les besoins.

Pratiques sécuritaires pour les tondeuses poussées

1. CONSIGNES DE SÉCURITÉ

1.1 Entraînement

- a) Lisez attentivement le manuel d'instructions d'utilisation et d'entretien. Familiarisez-vous avec les commandes et l'utilisation adéquate de l'appareil.
- b) Ne laissez jamais un enfant utiliser une tondeuse à moteur.
- c) Tenez toutes les personnes, en particuliers les jeunes enfants, ainsi que les animaux, à distance de votre lieu de travail.
- d) N'utilisez une tondeuse que pour l'utilisation pour laquelle elle a été conçue.

1.2 Préparation

- a) Inspectez attentivement la zone où vous passerez la tondeuse, et retirez les pierres, bâtons, câbles, os et autres objets.
- b) N'employez jamais la tondeuse pieds nus ou en ne portant que des sandales. Portez toujours une paire de souliers qui vous protègent suffisamment.
- c) Débrayez le système d'entraînement, s'il y a, avant de démarrer le moteur.
- d) Ne tentez jamais d'ajuster la hauteur des roues alors que le moteur tourne.
- e) Utilisez l'outil uniquement à la lumière du jour ou sous un éclairage artificiel approprié.
- f) N'opérez jamais la tondeuse dans de l'herbe humide. Assurez-vous toujours de vous tenir fermement sur vos pieds. Tenez fermement la poignée, et marchez ; ne courez jamais.

1.3 Opération

- a) Ne mettez pas les mains ou les pieds près de ou sous les pièces rotatives de l'appareil. Ne restez jamais à proximité de la zone d'évacuation.
- b) Arrêtez la/les lame(s) lorsque vous traversez une allée, un chemin ou une route pleine de gravier.
- c) Après avoir heurté un objet, arrêtez le moteur, débranchez la prise électrique, inspectez soigneusement la tondeuse et assurez-vous qu'elle n'est pas endommagée, puis réparez les dommages, le cas échéant, avant de

redémarrer et d'utiliser la tondeuse.

- d) Si l'appareil commence à vibrer de façon anormale, arrêtez le moteur et tentez immédiatement d'en déceler la cause. Les vibrations indiquent généralement qu'un problème existe.
- e) Arrêtez le moteur chaque fois que vous quittez l'appareil, et également avant de réparer ou d'inspecter l'appareil.
- f) Arrêtez le moteur et attendez que la lame s'arrête complètement avant de retirer l'herbe coincée dans le sac de ramassage ou avant de déboucher la chute d'évacuation.
- g) Tondez en traversant les pentes dans le sens de la longueur, jamais de haut en bas ou de bas en haut. Soyez extrêmement prudent lorsque vous changez de direction dans une pente. Ne tondez pas sur des pentes trop abruptes.
- h) N'utilisez jamais la tondeuse si celle-ci n'est pas équipée des dispositifs de protection et des plaques correspondantes.
- i) Ne lavez pas l'appareil à l'aide d'un tuyau ; évitez que l'eau ne pénètre dans le moteur et au niveau des connexions électriques.

1.4 ENTRETIEN

- a) Vérifiez de façon périodique que la lame soit bien serrée.
- b) Assurez-vous que tous les écrous, boulons et vis sont bien serrés afin que l'appareil fonctionne en toute sécurité.
- c) Vérifiez régulièrement le sac de ramassage de l'herbe et assurez-vous qu'il n'est pas endommagé ou usé. Remplacez-le le cas échéant. Vérifiez que le sac de remplacement est conforme aux recommandations ou aux spécifications du fabricant.
- d) Remplacez la lame si elle est courbée ou fendue. Une lame déséquilibrée fera vibrer le système d'entraînement du moteur ou pourra causer des blessures.
- e) Aiguissez les lames émoussées de manière égale à chaque extrémité pour en préserver l'équilibre.
- f) Nettoyez adéquatement la lame et vérifiez

qu'elle est bien équilibrée en la posant à l'horizontale sur un clou placé dans son trou central. Le clou doit également être placé à l'horizontale. Si l'une des extrémités de la lame penche vers le bas, meulez un peu de métal du côté qui penche vers le bas, jusqu'à ce que la lame soit bien équilibrée. La lame est équilibrée lorsqu'aucune extrémité ne s'abaisse.

CONSERVEZ CES INSTRUCTIONS

CONSIGNES GÉNÉRALES DE SÉCURITÉ CONCERNANT LA BATTERIE



AVERTISSEMENT! Lisez et assimilez toutes les instructions. Le non-respect des instructions ci-après peut entraîner un risque de choc électrique, d'incendie et/ou de blessures graves. Conservez tous les avertissements et instructions pour pouvoir les consulter ultérieurement.

- 1) AVERTISSEMENT: Risque d'incendie et de brûlures. Ne démontez pas, ne chauffez pas à une température supérieure à 100°C (212°F) et n'incinerez pas l'appareil. N'exposez pas les piles cellulaires ou la batterie à la chaleur ou au feu. Évitez de ranger la batterie dans un endroit exposé à la lumière directe du soleil.**
- 2) Jetez rapidement les piles usagées. Lors de l'élimination des piles cellulaires ou des batteries, gardez les piles ou les batteries de types électrochimiques différents séparés les uns des autres.**
- 3) Gardez les piles hors de portée des enfants et dans leur emballage d'origine jusqu'au moment de vous en servir.**
- 4) Ne mettez jamais les piles dans la bouche. En cas d'ingestion, consultez avec votre médecin ou un centre antipoison.**
- 5) ATTENTION - La batterie utilisée dans cet appareil peut présenter**

un risque d'incendie ou de brûlure chimique si elle n'est pas utilisée avec soin. Remplacez la batterie usée uniquement avec une batterie (WORX). L'utilisation de toute autre batterie peut engendrer un risque d'incendie ou d'explosion.



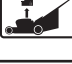

- 6) Avertissement : N'utilisez pas la batterie ou l'appareil s'il est visiblement endommagé.**
- 7) Avertissement : Ne modifiez pas et n'essayez pas de réparer l'appareil ou la batterie vous-même.**
- 8) LA BATTERIE DOIT ÊTRE RECYCLÉE;**
- 9) Les bornes de contact d'une pile cellulaire ou d'une batterie ne doivent pas être mises en court-circuit. Ne placez pas en vrac les piles ou les batteries dans une boîte ou un tiroir où leurs bornes pourraient être mises en court-circuit par un matériau conducteur.**
- 10) N'exposez pas la pile cellulaire ou la batterie à des chocs mécaniques.**
- 11) Gardez les piles cellulaires et les batteries propres et sèches. Essayez les bornes de la pile cellulaire ou de la batterie avec un chiffon propre et sec si elles sont sales.**
- 12) Ne laissez pas la pile cellulaire ou la batterie en charge lorsqu'elles ne sont pas utilisées.**
- 13) Conservez les instructions originales accompagnant la pile cellulaire ou la batterie pour toute future référence.**
- 14) N'utilisez pas un chargeur autre que celui spécifiquement conçu pour être utilisé avec l'équipement. Accumulateurs besoin d'être rechargée avant l'utilisation. Les piles cellulaires et les batteries doivent toujours être chargées avant l'utilisation. Utilisez toujours le chargeur adapté et reportez-vous aux instructions du fabricant ou au manuel de l'équipement pour suivre les instructions concernant la procédure de charge.**
- 15) Si possible, enlevez la batterie de l'équipement lorsqu'il n'est pas utilisé.**
- 16) Pour éviter le démarrage non intentionnel, s'assurer que le bouton de démarrage**

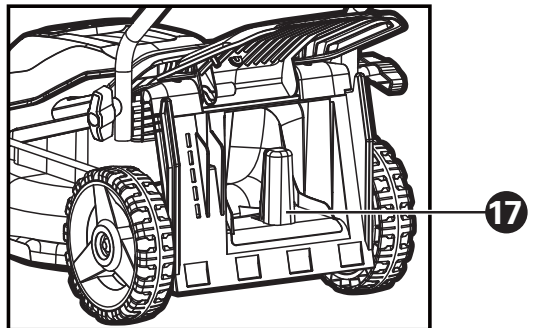
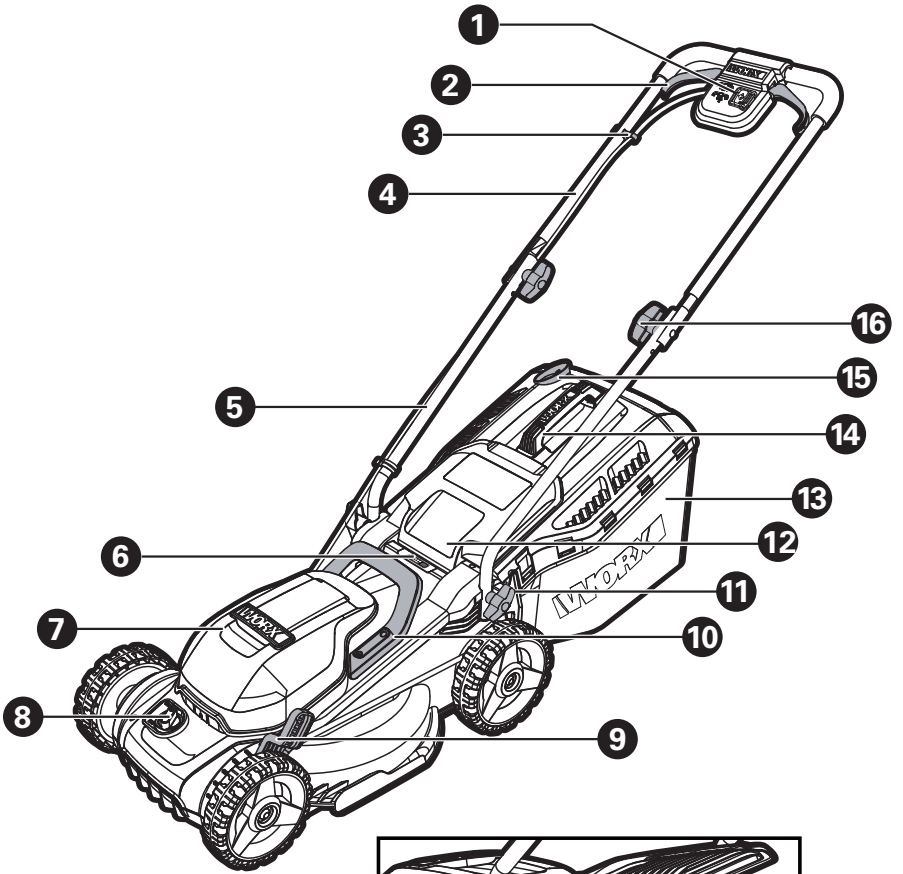
est en position d'arrêt avant de brancher l'appareil au chargeur ou de le prendre ou de le transporter. Un accident pourrait arriver si vous vous promenez avec l'appareil avec le doigt sur l'interrupteur ou sur le dispositif de charge dont l'interrupteur est en position de charge.

- 17) Débranchez le bloc de batterie de l'appareil avant de faire des réglages, de remplacer des accessoires ou de ranger l'appareil. De telles mesures de sécurité réduisent les risques de démarrer l'appareil accidentellement.
- 18) Dans des conditions d'utilisation abusive, du liquide pourrait s'éjecter de la batterie; évitez tout contact. Si vous entrez accidentellement en contact avec le liquide, passez la partie du corps touchée sous le robinet. Si vos yeux entrent en contact avec le liquide, vous devez consulter immédiatement un médecin. Le liquide expulsé de la batterie peut causer des irritations ou des brûlures.
- 19) Faites faire le service par un technicien de réparation compétent qui ne doit utiliser que des pièces de rechange identiques. Ceci maintiendra la sécurité du produit.

SYMBOLES

	Étiquettes de danger CPSC
	Sectionnement d'orteils ou de doigts – lame de tondeuse en rotation
	Objets propulsés depuis la plateforme de la tondeuse
	Tenez les enfants éloignés
	Restez sur vos gardes.
	Pente glissante.

	Lisez le manuel
	Afin de réduire les risques de blessure, l'utilisateur doit lire ce mode d'emploi.
	Ne pas exposer pas à la pluie et à l'eau
	Ne pas jeter au feu
 Li-Ion	batterie Li-Ion, les batteries doivent être recyclées
	Toujours porter des gants de protection
	Retirer le bloc-piles de l'outil avant d'effectuer tout ajustement, entretien ou maintenance.
	La lame continue de tourner une fois la machine arrêtée. Attendez que toutes les pièces de la tondeuse se soient arrêtées avant de les toucher.
	Retirez la clé
	call2recycle POSITEC Inc. a formé un partenariat avec RBRC Corporation pour le recyclage des batteries Positec portant le sceau RBRC-call2recycle. Pour la protection de l'environnement, veillez à ne pas jeter les batteries aux poubelles. À la fin du cycle de vie de la batterie, appelez 1.800-822-8837 pour un service gratuit qui mettra la batterie au rebut selon les règles de l'art.



Tondeuse à gazon sans fil 2 en 1 F

1. CLÉ DE SÉCURITÉ
2. LEVIER DU COMMUTATEUR
3. SERRE-CÂBLES
4. POIGNÉE SUPÉRIEURE
5. POIGNÉE INFÉRIEURE
6. VOYANT DE LA BATTERIE
7. COUVERCLE DU BOITIER DE BATTERIE
8. COMMUTATEUR INTELICUT
9. LEVIER DE RÉGLAGE DE LA HAUTEUR DE COUPE
10. POIGNÉE DE TRANSPORT
11. MOLETTES DE POIGNÉE, INFÉRIEURE
12. BAVETTE DE SÉCURITÉ
13. SAC À HERBE
14. POIGNÉE DE SAC
15. TÉMOIN DE REMPLISSAGE DU BAC DE RAMASSAGE DE L'HERBE
16. MOLETTES DE POIGNÉE, SUPÉRIEURE
17. DISPOSITIF DE PAILLAGE
18. BLOCS-PILES *(Voir Fig. E)
19. BOULON DE LA LAME (Voir Fig. P1)
20. LAME (Voir Fig. P1)

* Les accessoires illustrés ou décrits ne sont pas tous compris dans le cadre de la livraison standard.

DONNÉES TECHNIQUES

	WG779	WG779.9
Puissance assignée	40V \equiv Max. (2x20V Max.)**	
Vitesse à vide	3300 / 3700/min	
Diamètre du châssis	35cm (14po)	
Diamètre de coupe	34cm (13po)	
Hauteur de coupe	38~88mm (1-1/2po~3-1/2po)	
Nombre de hauteurs de coupe	6	
Diamètre des roues avant	160mm (6.3po)	
Diamètre des roues arrière	180mm (7po)	
Capacité de cueillette de gazon	30L (0.85 bushels)	
Capacité de la batterie	4.0Ah (WA3578)	/
Type de batterie	Lithium-Ion	/
Modèle de chargeur	WA3875	/
Valeurs nominales du chargeur	Entrée: AC 120V~60Hz, Sortie: 20V \equiv DC, 2.0 A	/
Temps de recharge Batterie:		/
4.0Ah (1pc)	2hrs	
4.0Ah (2pcs)	4hrs	
30 Poids de la machine	13.2kg (29.1lbs)	11.9kg (26.2lbs)

** Tension mesurée hors fonctionnement. La tension initiale de la batterie atteint le maximum de 20 volts. La tension nominale est de 18V.

ACCESSOIRES

	WG779	WG779.9
Blocs-piles (WA3578)	2	/
Chargeur (WA3875)	1	/
Sac à herbe	1	
Dispositif de paillage	1	
Serre-câbles	2	

N'utilisez que les accessoires compatibles à cet outil. Les informations des accessoires peuvent être trouvées sur l'emballage du produit, chez un détaillant WORX ou sur notre site www.worx.com.

INSTRUCTIONS D'UTILISATION



REMARQUE: Avant d'utiliser cet outil, assurez-vous de lire attentivement le manuel d'utilisation.

ASSEMBLAGE & FONCTIONNEMENT

ACTION	SCHÉMA
ASSEMBLAGE	
Montage du guidon REMARQUE: Sélectionnez l'un des deux trous dans la poignée inférieure pour régler la hauteur de poignée désirée.	Voir Fig. A1, A2, A3, A4, A5
Montage du bac de ramassage	Voir Fig. B1, B2, B3, B4
Installation du bac de ramassage de l'herbe REMARQUE: Enfoncez légèrement le bac de ramassage pour vous assurer qu'il est bien installé. REMARQUE: Retirez l'insertion de paillage hors de la tondeuse à gazon avant de monter le sac de ramassage du gazon.	Voir Fig. C1, C2, C3
Vérification de l'état de charge de batterie REMARQUE: La Fig. D1 ne s'applique qu'aux batteries disposant d'un témoin lumineux de batterie.	Voir Fig. D1
Recharge de la batterie REMARQUE: la batterie est livrée non chargée. Elle doit être complètement chargée avant la première tonte. Veillez à toujours charger les deux batteries en même temps. Des informations supplémentaires sont disponibles dans le manuel du chargeur.	Voir Fig. D2

Disposition/ retrait du bloc batterie

REMARQUE: Cette tondeuse à gazon ne fonctionne que lorsque les 2 batteries sont insérées. Assurez-vous de toujours utiliser deux batteries de même capacité; et de complètement recharger les deux batteries.

Le fait d'utiliser deux batteries de taille différente ou si l'une batterie n'est pas complètement chargée, implique que la machine ne fonctionnera que jusqu'au plus faible dénominateur commun.

FONCTIONNEMENT

Indicateur d'énergie de la batterie sur la machine
Voir les détails dans la partie ÉTAT DE LA BATTERIE

IMPORTANT

Lorsqu'un seul voyant est allumé, au moins une batterie est déchargée et doit être rechargée, même si la tondeuse peut encore être capable de couper l'herbe. De continuer à faire fonctionner votre tondeuse avec la batterie dans cette condition déchargée peut réduire la vie et la performance de votre batterie.



Lorsque aucun voyant n'est allumé, au moins une batterie n'est pas convenablement installée ou une batterie est défectueuse, vérifiez que les batteries sont bien en place.

Démarrage & arrêt

Voir Fig. E

Voir Fig. F



Voir Fig. G1, G2

Réglage de la hauteur de coupe	
<p>AVERTISSEMENT! Arrêtez, relâchez le levier du commutateur, retirez la clé de sécurité et attendez que le moteur s'arrête avant d'ajuster la hauteur de coupe. La lame continue de tourner après l'arrêt du moteur. Elle peut donc encore provoquer des blessures. Ne touchez pas la lame lorsqu'elle tourne.</p>	Voir Fig. H
<p>Sélectionner le cadran intellectuel Mode ECO Sélectionnez le mode ECO lorsque vous tondez régulièrement. Ce mode coupe environ 1 po d'herbe à la fois. Mode TURBO Réglez le commutateur en mode TURBO pour couper de l'herbe dense ou très haute.</p>	Voir Fig. I1, I2
<p>Témoin de remplissage du bac de ramassage de l'herbe Bac vide : battant flottant (a)</p> 	Voir Fig. J1
<p>Bac plein : battant fermé (b)</p> 	
<p>Retrait/vidage du bac</p> <p>AVERTISSEMENT! Avant usage, toujours vérifier que la bavette de sécurité peut fermer étroitement la sortie d'échappement. Ne soulevez jamais le volet de sécurité lorsque la tondeuse à gazon est utilisée sans sac de ramassage hermétique.</p>	Voir Fig. J2
Installation du dispositif de paillage	Voir Fig. K1, K2
Évacuation par l'arrière	Voir Fig. L
REMARQUE: Commencez par retirer l'insert de déchiquetage.	

Entreposage	Voir Fig. M1, M2
-------------	------------------

ÉTAT DE LA BATTERIE (Voir Fig. F)

Avant la mise en marche ou après utilisation, appuyez sur le bouton « POWERTEST » sur la machine pour vérifier la capacité d'une batterie. Lors de l'utilisation, la capacité de la batterie sera indiquée automatiquement par l'indicateur de charge de batterie. L'indicateur détecte en continu et affiche l'état de charge de la batterie comme suit :

Statut indicateur d'alimentation de la batterie	État de la batterie
Cinq lumières vertes  sont allumées.	Les deux batteries présentent un niveau de charge élevé.
Deux, trois ou quatre lumières vertes sont allumées.	Les deux batteries ont une charge restante. Plus de lumières sont allumées, plus la capacité de la batterie est importante.
Un seul voyant vert  s'allume.	Au moins une batterie est déchargée et doit être rechargée.
Aucun voyant ne s'allume.	Au moins une batterie n'est pas convenablement installée ou la batterie est défectueuse.
Un seul voyant clignote deux fois par cycle.	Au moins une batterie est déchargée (Veuillez vous référer à la section Niveau de charge de la batterie), veuillez recharger les deux batteries immédiatement avant la réutilisation ou le stockage.
Un seul voyant clignote trois fois par cycle.	Au moins une batterie est chaude, patientez qu'elles se refroidissent avant de redémarrer.
Un seul voyant clignote quatre fois par cycle.	La machine a une surcharge. Relever la hauteur de coupe ou pousser lentement.

CONSEILS RELATIFS À LA DÉSINTÉGRATION DES BRINS D'HERBE

Lors de l'utilisation de la prise de paillage, la tondeuse coupe les brins d'herbe en petites pièces et les distribue sur la pelouse, utilisation des ailettes de paillage situées à l'intérieur du boîtier de la tondeuse.

Dans des conditions normales, l'herbe déchiquetée se décompose rapidement afin de nourrir la pelouse.

Prière de relire les recommandations suivantes afin d'optimiser le rendement du mode de déchiquetage.

- 1) Éviter de tondre l'herbe lorsqu'elle est mouillée par la pluie ou la rosée. Les brins d'herbe mouillés forment des touffes difficiles à déchiqueter et leur coupe réduit la durée de fonctionnement. Le meilleur moment pour tondre l'herbe consiste en la fin de l'après-midi alors que l'herbe est sèche et que la pelouse fraîchement tondue n'est pas exposée aux rayons directs du soleil.
- 2) Afin d'optimiser les résultats, régler la hauteur de coupe de la tondeuse de sorte que celle-ci ne coupe que le tiers de la hauteur des brins d'herbe. Lorsque l'herbe est haute, il peut être nécessaire d'augmenter la hauteur de coupe afin de réduire les efforts et de prévenir la surcharge du moteur. Lorsque le déchiquetage est intense, il est préférable de couper d'abord l'herbe à une hauteur élevée, puis de repasser à la hauteur voulue. Sinon, faire des coupes étroites et lentes.
- 3) Afin d'optimiser le rendement, nettoyer toute accumulation d'herbe du tablier de la tondeuse. De temps en temps, arrêter la tondeuse et attendre l'immobilisation complète de la lame. Puis retirer la clé de sécurité et retourner la tondeuse sur le côté. Utiliser un objet comme un bâton pour enlever les accumulations de brins d'herbe autour de la lame. Prendre soin de ne pas se blesser sur les arêtes tranchantes de la lame. La nettoyer souvent lorsque l'herbe est mouillée au

printemps et toujours la nettoyer après chaque utilisation.

- 4) Selon le type d'herbe et les conditions prévalant, il peut être nécessaire de passer la déchiqueteuse une deuxième fois sur une surface afin de désintégrer complètement les brins d'herbe. Pour la deuxième passe, tondre dans le sens perpendiculaire à celui de la première passe. **NE PAS TONDRE DE FAÇON PERPENDICULAIRE LORSQUE CELA NÉCESSITE LA TONTE DE L'HERBE DE HAUT EN BAS D'UNE PENTE.**
- 5) Modifier le plan de coupe d'une semaine à l'autre. Cette mesure prévient la formation d'une couche de brins d'herbe sur la pelouse.

ZONE DE COUPE

La zone de coupe peut être affectée par de nombreux facteurs comme : la hauteur de coupe, le mode d'utilisation (par ex: démarrage/arrêt), le degré d'humidité de la pelouse, la longueur et densité de l'herbe. Le tableau ci-dessous fournit les potentielles zones de coupe en fonction des conditions spécifiques de coupe.

Hauteur de coupe	Taille de terrain recommandée (maximum)
	Avec 2 batteries de 20V/4,0Ah
Couper de 84mm (3,3po) à 64mm (2,5po)	Jusqu'à 460m ² (5000 pi. ca.) *

* Utilisé avec deux batteries complètement chargées.

CONSEILS:

- 1) Tondre fréquemment la pelouse et réduire le nombre de démarrages/arrêts aidera à améliorer l'autonomie de la batterie. Il est recommandé de toujours utiliser les mêmes deux batteries pendant le fonctionnement, avec un niveau de charge complet.

- 2) Pour de meilleures performances de coupe, il est recommandé de tondre au maximum 1/3 de la hauteur d'herbe actuelle, à la fois. Assurez-vous de tondre plus lentement lorsque vous passez sur des herbes longues ou épaisses pour permettre à la tondeuse de correctement décharger les brins coupés.

ENTRETIEN



AVERTISSEMENT: Arrêtez la tondeuse et retirez la clé de sécurité avant d'enlever le bac de ramassage de l'herbe.

REMARQUE: Afin d'assurer un service à long terme et fiable, effectuez régulièrement la procédure d'entretien qui suit. Vérifiez pour des défauts évidentes telles qu'une lame lousse, délogée ou endommagée, des pièces de fixation louses, et des composantes usées ou endommagées. Vérifiez que les couvercles et gardes sont tous sans dommages et correctement attachés à la tondeuse. Effectuez tout entretien ou réparation nécessaire avant d'opérer la tondeuse. Si la tondeuse en venait à défaillir en dépit d'un entretien régulier, s'il vous plaît appelez notre ligne d'aide pour des conseils.

AFFÛTAGE DE LA LAME

S'ASSURER QUE LA LAME EST TOUJOURS AFFÛTÉE AFIN D'OPTIMISER LE RENDEMENT DE LA TONDEUSE.

PORTER DES LUNETTES DE SÉCURITÉ LORSQU'ON RETIRE, INSTALLE OU AFFÛTE LA LAME. S'ASSURER DU RETRAIT DE LA CLÉ DE SÉCURITÉ.

Dans la plupart des cas, il suffit d'affûter la lame deux fois pendant la saison de coupe. Lorsque le sol est sablonneux, il est conseillé de l'affûter plus souvent puisque le sable émousse la lame.

REPLACER IMMÉDIATEMENT UNE LAME PLIÉE OU ENDOMMAGÉE.

LORS DE L'AFFÛTAGE DE LA LAME:

1. S'assurer que la lame est toujours équilibrée.

2. Affûter dans l'angle original de coupe de la lame.
3. Affûter les arêtes tranchantes des deux extrémités de la lame en retirant une quantité égale de matériau aux deux extrémités.

REMARQUE

1. Assurez-vous que la tondeuse est en arrêt et retirez la clé de sûreté.
2. Placez la tondeuse en mode de stockage horizontal.

AFFÛTAGE D'UNE LAME DANS UN ÉTAU (Voir Fig. N)

1. S'assurer du dégagement du levier de l'interrupteur, de l'immobilité de la lame et du retrait de la clé de sécurité avant d'enlever la lame.
2. Enlever la lame de la tondeuse. Consulter les rubriques relatives au retrait et à l'installation de la lame.
3. Fixer la lame (N-1) dans un étau (N-2).
4. Porter des lunettes de sécurité et prendre soin de ne pas se couper.
5. Limer avec soin les arêtes tranchantes de la lame avec une lime à dents fines (N-3) ou une meule.
6. Vérifier l'équilibrage de la lame (consulter la rubrique appropriée).
7. Remettre la lame en place et bien la serrer. Voir les directives plus loin.

ÉQUILIBRAGE DE LA LAME (Voir Fig. O)

Vérifier l'équilibrage de la lame en accrochant cette dernière par son trou central (O-1) sur un clou ou un tournevis (O-2) retenu horizontalement dans un étau (O-3).

Lorsqu'une extrémité de la lame s'abaisse, meuler ou limer cette extrémité. La lame est bien équilibrée lorsqu'aucun bout ne s'abaisse.

MAINTENANCE DE LA LAME (Voir Fig. P1, P2)

Aiguiser la lame après 50 heures d'utilisation ou tous les 2 ans, selon le premier des deux cas – et quelque soit l'état de la lame. Veuillez suivre ces procédures pour démonter et remonter la lame. Portez des gants de jardin (non fournis) et utilisez une tricoise

(non fournie) pour démonter la lame. Tenez la lame (20) et dévissez le boulon (19) dans le sens inverse des aiguilles d'une montre à l'aide d'une tricoise, puis retirez la lame. Pour remonter la lame (20), placez d'abord celle-ci avec les côtés coupants tournés vers le sol. Serrez complètement l'écrou de la lame (19).

ENTREPOSAGE (Voir Fig. M1, M2)

Arrêtez la tondeuse et retirez toujours la clef de sécurité. Nettoyez complètement l'extérieur de la machine en utilisant une brosse douce et un linge. N'utilisez pas d'eau,

des solvants ou des polis. Enlevez tout le gazon et les débris, spécialement des fentes de ventilation.

Tournez la machine sur le côté et nettoyez l'aire de la lame. Les coupures de gazon sont compactées dans l'aire de la lame, enlevez-les avec un bout de bois ou de plastic. Entreposez la machine dans un endroit sec. Ne placez pas d'autres objets sur la machine. Pour faciliter le rangement, relâchez les molettes de poignée et faites pivoter ou pliez la poignée supérieure (Voir Fig. M1, M2).

GUIDE DE DÉPANNAGE

Problème	Solution
1. La tondeuse ne fonctionne pas quand l'anse est activée.	<p>A. Vérifier que la clé de sûreté est correctement insérée et enfoncée complètement et que le bouton sur le contact est bien enfoncé.</p> <p>B. Relâcher l'anse pour éteindre la tondeuse. Retirer la clé de sûreté, retourner la tondeuse et vérifier que la lame tourne librement. En cas de blocage, retourner à un réparateur autorisé. La lame devrait tourner librement.</p> <p>C. Est-ce que la pile est à pleine charge? Brancher le chargeur et attendre que le voyant vert s'illumine.</p>
2. Le moteur s'arrête en cours de coupe.	<p>A. Relâcher l'anse pour éteindre la tondeuse. Retirer la clé de sûreté, retourner la tondeuse et vérifier que la lame tourne librement. En cas de blocage, retourner à un réparateur autorisé. La lame devrait tourner librement.</p> <p>B. Relever la hauteur de coupe des roues à la position la plus élevée et commencer la tonte.</p> <p>C. Est-ce que la pile est à pleine charge? Brancher le chargeur et attendre que le voyant vert s'illumine.</p> <p>D. Éviter de surcharger la tondeuse. Ralentir la tonte en poussant moins vite la tondeuse, augmenter la hauteur de coupe ou les deux.</p>
3. La tondeuse fonctionne, mais le rendement est insatisfaisant ou la tondeuse ne coupe pas toute la pelouse.	<p>A. Est-ce que la pile est à pleine charge? Brancher le chargeur et attendre que le voyant vert s'illumine.</p> <p>B. Relâcher l'anse pour éteindre la tondeuse. Retirer la clé de sûreté et le bloc-piles. Retourner la tondeuse et vérifier : Le tranchant de la lame. Maintenir la lame affûtée. La présence éventuelle d'un bourrage de la goulotte de vidange ou du châssis.</p> <p>C. Le réglage de la hauteur des roues pourrait être trop bas pour l'état de la pelouse. Augmenter la hauteur de coupe.</p>

4. Il est trop difficile de pousser la tondeuse.	A. Augmenter la hauteur de coupe pour réduire le frottement du châssis sur l'herbe. Vérifier que chaque roue tourne librement.
5. La tondeuse produit des sons anormaux et vibre.	A. Relâcher l'anse pour éteindre la tondeuse. Retirer la clé de sûreté. Placer la tondeuse sur le côté et vérifier que la lame n'est pas tordue ou endommagée. Si la lame est endommagée, la remplacer avec une lame de rechange. Si la face inférieure du châssis est endommagée, confier la réparation à un centre de réparations autorisé. B. Si aucun dommage visible à la lame n'est déterminé et que la tondeuse vibre toujours : relâcher l'anse pour éteindre la tondeuse, retirer la clé de sûreté et retirer la lame. Tourner la lame sur 180 degrés et la resserrer. Si la tondeuse vibre toujours, confier la réparation à un centre de réparations autorisé.
6. Le voyant du chargeur de piles est éteint.	A. Vérifier le branchement de la fiche. B. Remplacer le chargeur.
7. Le voyant du chargeur de piles ne passe pas au vert.	A. La pile doit être diagnostiquée. La faire vérifier dans un centre de réparation autorisé.
9. Au déchiquetage, l'herbe coupée est visible.	A. Retirer la plaque de déchiqueteuse lors de l'ensachage. B. La goulotte est encrassée. Relâcher l'anse pour éteindre la tondeuse. Retirer la clé de sûreté. Vider la goulotte de l'herbe coupée. C. Trop d'herbe coupée. Relever la hauteur de coupe des roues pour en couper moins. D. Le sac est plein. Vider le sac plus souvent.
36 9. Au déchiquetage, l'herbe coupée est visible.	A. Trop d'herbe coupée. Relever la hauteur de coupe des roues pour en couper moins. Ne pas couper plus du tiers de la longueur totale. B. Vérifier le tranchant de la lame. Toujours maintenir la lame affûtée.
10. Durée de fonctionnement courte ou réduite après de nombreuses utilisations.	A. Retourner à un centre de réparation agréé; une batterie neuve peut être requise.
11. Le témoin lumineux DEL du chargeur de batterie clignote en rouge et la batterie ne peut pas être chargée.	A. La batterie surchauffe après une utilisation continue. Retirez la batterie du chargeur et laissez-la refroidir à une température de 42°C ou moins.



¡ADVERTENCIA! El polvo creado al lijar, serruchar, pulir, taladrar o realizar otras actividades de la construcción, contiene substancias químicas que se sabe producen cáncer, defectos de nacimiento u otros daños al sistema reproductor. Algunos ejemplos de esos productos químicos son:

- El plomo de las pinturas a base de plomo;
- La sílice cristalina de los ladrillos, del cemento y de otros productos de albañilería;
- El arsénico y el cromo de la madera tratada químicamente.

El riesgo que se corre a causa del contacto con esos productos varía según la frecuencia con que usted realice este tipo de trabajos. Con el fin de reducir su exposición a esas substancias químicas: trabaje en un área bien ventilada; utilice un equipo de seguridad adecuado, tal como una máscara contra el polvo especialmente diseñada para filtrar partículas microscópicas.



ADVERTENCIA: Este producto puede exponerlo a químicos que incluyen plomo, ftalato, o bisfenol A que se sabe en el Estado de California que causan cáncer, defectos de nacimiento u otros daños reproductivos. **Lave sus manos después de usarlo.** Para más información visite www.P65Warnings.ca.gov.

LEA Y COMPRENDA TODAS LAS INSTRUCCIONES



¡ADVERTENCIA! Cuando se emplean herramientas eléctricas para jardinería, siempre deben seguirse ciertas pautas básicas de seguridad a fin de reducir el riesgo de incendio, descarga eléctrica o lesión seria, incluyendo las siguientes:



¡ADVERTENCIA! Podría producirse un riesgo de lesión si la cortadora de césped se utiliza sin la bolsa para pasto instalada.



¡ADVERTENCIA! El uso de cualquier dispositivo accesorio o anexo podría elevar el riesgo de lesión.



PRECAUCIÓN En el caso de cortadoras de césped que funcionen a batería,

utilice únicamente baterías de repuesto idénticas que indiquen el tipo.

PARA TODOS LOS CORTACÉSPEDES

- 1) Evite Ambientes Peligrosos-No use artefactos en lugares húmedos o mojados.
- 2) No lo use bajo la lluvia.
- 3) Manténgalo fuera del alcance de los niños.-Todos los espectadores deben permanecer alejados de la zona de trabajo.
- 4) Use ropa adecuada-No use ropa suelta o joyas. Pueden llegar a engancharse en las partes móviles. Le recomendamos usar guantes de goma y calzado resistente al trabajar en el exterior.
- 5) Use Gafas Protectoras-Use siempre una máscara para la cara o contra el polvo si la operación produce polvo.
- 6) Use el Artefacto Adecuado-No use ningún artefacto para un trabajo para el cual no ha sido diseñado.
- 7) No Fuerce el Artefacto-Hará un mejor trabajo y con menor posibilidad de accidentes si la utiliza de la forma para la que fue diseñada.
- 8) No se Extienda de Más-Mantenga una buena postura y equilibrio todo el tiempo.
- 9) Manténgase Alerta-Fíjese en lo que está haciendo. Use el sentido común. No use el artefacto cuando esté cansado.
- 10) Guarde los Artefactos que no Utilice en el Interior-Cuando no los use, los artefactos deben guardarse en el interior, en un lugar seco y alto, o bajo llave – fuera del alcance de los niños.
- 11) Mantenga los Artefactos con Cuidado-Mantenga los bordes de corte afilados y limpios para obtener el mejor resultado y reducir el riesgo de heridas. Mantenga las manos secas, limpias y sin aceite o grasa.
- 12) Mantenga las cubiertas en su lugar y en buen estado.
- 13) Mantenga las hojas afiladas.
- 14) Mantenga las manos y los pies lejos del área de corte.
- 15) Los objetos despedidos por la hoja de la podadora pueden causar heridas graves. Siempre debe examinar cuidadosamente el césped y remover todos los objetos antes de podarlo.
- 16) Si la podadora de césped golpea con un

- objeto extraño, siga los siguientes pasos:
- i) Detenga la podadora. Suelte la barra de encendido.
 - ii) Extracción de paquete de batería.
 - iii) Revísela por daños.
 - iv) Repare cualquier daño antes de volver a encender la podadora.
- 17) Use las mismas hojas de reemplazo únicamente.

INSTRUCCIONES DE SEGURIDAD PARA CORTACÉSPEDES A BATERÍA

- a) No cargue el cortacésped bajo la lluvia o en lugares con mucha humedad.
- b) No utilice un cortacésped a batería bajo la lluvia.
- c) Retire o desconecte la batería antes de realizar operaciones de mantenimiento, limpieza o extracción de algún material del cortacésped.

PARA TODOS LOS PRODUCTOS A BATERÍA QUE EMPLEEN UNA BATERÍA EXTRAÍBLE O INDEPENDIENTE:

- a) Utilice únicamente el siguiente tipo y tamaño de batería: WA3520, WA3525, WA3575, WA3578, WA3577, WA3671
- b) No arroje la batería al fuego. Podría explotar. Compruebe la legislación local para más información acerca de las instrucciones especiales de destrucción.
- c) No abra ni divida las baterías. El electrolito liberado es corrosivo y podría provocar daños en los ojos o la piel. Podría ser tóxico si se ingiere.
- d) Tenga cuidado al manipular las baterías para no cortocircuitarlas con objetos como anillos, pulseras o llaves. La batería o el conductor podrían sobrecalentarse y causar quemaduras.

Instrucciones de seguridad para cortacéspedes de uso de pie

IMPORTANTES

Instrucciones de seguridad para cortacéspedes de uso de pie **I. FUNCIONAMIENTO GENERAL**

1. Lea, comprenda, y siga todas las

instrucciones que aparecen en la máquina y en el(los) manual(es) antes de comenzar.

2. No coloque las manos o pies cerca o debajo de la máquina. Mantenga libre siempre el orificio de descarga.
3. Sólo pueden utilizar esta máquina adultos responsables que conozcan las instrucciones.
4. Limpie el área de objetos como rocas, cables, juguetes, etc. que podrían ser expulsados por la hoja. Manténgase detrás del mango cuando esté funcionando el motor.
5. Asegúrese de que no existan personas alrededor del área del trabajo antes de comenzar con el funcionamiento. Detenga la máquina en caso de que alguna persona ingrese en el área de trabajo.
6. No utilice la máquina descalzo o con sandalias. Utilice siempre un calzado sólido.
7. No mueva la máquina hacia atrás a menos que sea absolutamente necesario. Mire siempre hacia abajo y atrás antes y durante el movimiento de la máquina hacia atrás.
8. Nunca apunte el material descargado hacia alguna persona. Evite descargar el material contra una pared u obstrucción. El material puede rebotar hacia el operador. Detenga la hoja cuando cruce superficies de gravilla.
9. No utilice la máquina sin que el receptor de pasto, guarda de descarga, guarda trasera u otros dispositivos de protección de seguridad se encuentren colocados en su lugar y funcionando.
10. Nunca deje el motor funcionando sin supervisión.
11. Detenga el motor y espere a que la hoja se detenga por completo antes de limpiar la máquina, retirar el receptor de pasto o eliminar las obstrucciones de la guarda de descarga.
12. Utilice la máquina sólo con la luz del día o con buena luz artificial.
13. No utilice la máquina bajo la influencia de alcohol o drogas.
14. No utilice la cortadora de pasto sobre pasto mojado. Mantenga siempre la

estabilidad. Camine y nunca corra.

15. Desconecte el sistema de manejo, si se encuentra colocado, antes de arrancar el motor.
16. Si la máquina comienza a vibrar de manera anormal, detenga el motor y verifique la causa de inmediato. Generalmente, la vibración es una advertencia acerca de un problema.
17. Utilice siempre protección ocular durante la utilización de la máquina.
18. Consulte las instrucciones del fabricante para obtener información acerca del funcionamiento correcto de la máquina y de la instalación de los accesorios. Sólo utilice accesorios aprobados por el fabricante.

II. UTILIZACIÓN DE LA MÁQUINA EN PENDIENTES

Las pendientes son un factor importante relacionado con accidentes de resbalones y caídas que pueden causar lesiones graves. La utilización de la máquina en pendientes requiere de precaución adicional. Si no se siente seguro sobre una pendiente, no utilice la máquina.

1. Corte el pasto a través del frente de las pendientes y nunca hacia arriba o abajo. Tenga extremo cuidado cuando cambie la dirección sobre las pendientes.
2. Observe si existen orificios, surcos, baches, rocas u otros objetos escondidos. El terreno desparejo puede causar un resbalón y caída. El pasto alto puede ocultar obstáculos.
3. No utilice la cortadora de pasto sobre pasto mojado o en pendientes con demasiada inclinación. Una estabilidad escasa puede causar un resbalón o caída.
4. No utilice la cortadora de pasto cerca de bajadas, zanjas o malecones ya que puede perder la estabilidad.

III. NIÑOS

Pueden ocurrir accidentes trágicos si el operador no se encuentra alertado acerca de la presencia de niños. Generalmente, los niños se encuentran atraídos por la máquina y la actividad de corte de pasto. Nunca presuponga que los niños permanecerán en el

mismo lugar donde los vio por última vez.

1. Mantenga a los niños alejados del área de corte de pasto y bajo el cuidado alerta de un adulto responsable que no sea el operador.
2. Esté alerta y apague la cortadora de pasto si un niño ingresa en el área.
3. Nunca permita que los niños utilicen la máquina.
4. Tenga sumo cuidado cuando se acerca a esquinas ciegas, arbustos, árboles u otros objetos que podrían no permitirle visualizar a un niño.

IV. MANTENIMIENTO MANTENIMIENTO GENERAL

1. Mantenga todas las tuercas y pernos ajustados con el fin de asegurarse de que la máquina se encuentra en condiciones de funcionamiento seguro.
2. Nunca altere los dispositivos de seguridad. Verifique su funcionamiento correcto periódicamente.
3. Mantenga la máquina libre de pasto, hojas u otra acumulación de restos.
4. Si golpea a un objeto extraño, detenga el funcionamiento e inspeccione la máquina. Si es necesario, realice la reparación antes de comenzar a utilizar nuevamente la máquina.
5. Nunca realice ajustes o reparaciones con el motor funcionando.
6. Desconecte siempre las cortadoras de pasto eléctricas antes de realizar el ajuste, limpieza o reparación.
7. Revise periódicamente los componentes del receptor de pasto y la guarda de descarga. En caso de que sea necesario, realice el reemplazo utilizando las partes recomendadas por el fabricante.
8. Las hojas de la cortadora de pasto son filosas. Envuelva la hoja o utilice guantes y tenga sumo cuidado cuando realice el mantenimiento de éstas.
9. En caso de que sea necesario, mantenga o reemplace las etiquetas de seguridad e instrucciones.

Prácticas de funcionamiento seguro para la cortacésped para caminar desde atrás

1. Instrucciones de seguridad

1.1 Capacitación

- a) Lea detenidamente el manual de instrucciones de operación y mantenimiento. Familiarícese correctamente con los controles y el uso correcto de la herramienta.
- b) Nunca permita que los niños utilicen una cortacésped motorizada.
- c) Mantenga el área de limpieza sin personas, especialmente niños pequeños y mascotas.
- d) No utilice una cortacésped para ningún trabajo para el que no ha sido diseñada.

1.2 Preparación

- a) Inspeccione minuciosamente el área donde se utilizará la herramienta y extraiga todas las piedras, maderas, cables, huesos y otros objetos extraños.
- b) No utilice la herramienta con los pies descalzos o en sandalias. Utilice siempre calzado sólido.
- c) Desconecte el sistema de manejo, si se encuentra colocado, antes de arrancar el motor.
- d) Nunca intente realizar el ajuste de la altura de una rueda con el motor en funcionamiento.
- e) Utilice la herramienta sólo a la luz del día o con una luz artificial adecuada.
- f) No utilice la cortadora de pasto sobre pasto mojado.. Párese siempre de forma correcta. Sujete firmemente el mango y camine, nunca corra.

1.3 Operación

- a) No coloque las manos ni los pies cerca o debajo de las piezas giratorias.
- b) Detenga la hoja(s) al cruzar por calles, caminos o calzadas de gravilla.
- c) Luego de golpear un objeto extraño, detenga el motor, desenchufe la herramienta, inspeccione minuciosamente para comprobar si existen daños y repare los daños antes de volver a arrancar y utilizar la herramienta.
- d) Si la herramienta comienza a vibrar de forma anormal, detenga el motor y verifique de inmediato la causa.

Generalmente, la vibración es un síntoma de problemas.

- e) Detenga el motor cada vez que deje la herramienta sin supervisión y antes de efectuar una reparación o inspección.
- f) Apague el motor y espere a que la hoja se detenga por completo antes de extraer el receptor de césped o antes de quitar la obstrucción del tubo de descarga.
- g) Corte el césped desde el frente de las laderas, nunca de arriba o abajo. Tenga sumo cuidado al cambiar la dirección en las laderas. No corte el césped en laderas excesivamente empinadas.
- h) Nunca utilice la cortacésped sin las guardas, placas u otros dispositivos de protección de seguridad adecuados colocados en su lugar.
- i) No lave la herramienta con una manguera. Evite que el agua ingrese en el motor y en las conexiones eléctricas.

1.4 Mantenimiento

- a) Compruebe la cuchilla a intervalos regulares para verificar su correcta tensión.
- b) Mantenga todas las tuercas, pernos y tornillos apretados a fin de asegurarse de que la herramienta esté en condiciones seguras de funcionamiento.
- c) Periódicamente, compruebe la bolsa en búsqueda de deterioro y desgaste, y reemplace las bolsas desgastadas. Compruebe que las bolsas de reemplazo cumplan con las recomendaciones o especificaciones del fabricante original.
- d) Sustituya la cuchilla si se encuentra doblada o agrietada. Una cuchilla desequilibrada provoca vibraciones que podrían dañar el motor o derivar en lesiones personales.
- e) Afile las cuchillas desafiladas uniformemente por ambos extremos para mantener su equilibrio.
- f) Limpie minuciosamente la hoja y compruebe su balance colocándola horizontalmente sobre un clavo delgado a través de su orificio central. El clavo también deberá estar en posición horizontal. Si alguno de los extremos de

la hoja gira hacia atrás, extraiga algo de metal desde el extremo pesado o inferior hasta que la hoja quede balanceada, que ocurre cuando ninguno de los extremos se cae.

CONSERVE ESTAS INSTRUCCIONES

ADVERTENCIAS DE SEGURIDAD GENERAL PARA EL PAQUETE DE BATERÍA



ADVERTENCIA: Lea y comprenda todas las instrucciones. El no seguir todas las instrucciones a continuación puede ocasionar descargas eléctricas, incendios y/o heridas graves. Conserve todas las advertencias e instrucciones para consulta futura.









- 1) ADVERTENCIA:** Riesgo de incendio y quemaduras. No desarmar, calentar por encima de los 100° C (212° F), ni incinerar. No exponga las celdas o baterías al calor o fuego. Evite guardar a la luz directa del sol.
- 2) Deseche las baterías usadas de inmediato.** Cuando deseche las celdas o baterías secundarias, mantenga las celdas o baterías de sistemas electroquímicos diferentes separadas entre sí.
- 3) Mantenga las baterías fuera del alcance de los niños y en el paquete original hasta que estén listas para usar.**
- 4) Nunca se lleve las baterías a la boca. Si se tragan, contacte a su médico o al centro de control de envenenamiento local.**
- 5) PRECAUCIÓN – La batería usada en este dispositivo puede presentar riesgo de incendio o quemadura química si se manipula en forma incorrecta. Reemplace la batería con (WORX) solamente. El uso de otra batería puede presentar riesgo de**

incendio o explosión









- 6) Advertencia: no use un paquete de batería o dispositivo visiblemente dañado según corresponda.**
- 7) Advertencia: no modifique ni intente reparar el dispositivo o batería según corresponda.**
- 8) LA BATERÍA DEBE RECICLARSE**
- 9) Evite cortocircuitos de celda o batería. No guarde las celdas o baterías en forma peligrosa en una caja o cajón donde puedan hacer cortocircuito entre sí o con materiales conductivos.**
- 10) No someta las celdas o baterías a descargas mecánicas.**
- 11) Mantenga las celdas y baterías limpias y secas. Limpie las terminales de batería o celda con un paño seco y limpio si se ensucian.**
- 12) No mantenga en carga las celdas y baterías secundarias cuando no estén en uso.**
- 13) Conserve la información de la batería y celda originales para referencia futura.**
- 14) No use cargadores que no sean los específicamente suministrados para uso con el equipo. Las celdas y baterías secundarias se deben cargar antes del uso.** Siempre use el cargador correcto y consulte las instrucciones del fabricante o el manual del equipo para saber las instrucciones correctas de carga.
- 15) Cuando sea posible quite la batería del equipo cuando no esté en uso.
- 16) Evite un encendido no intencional. Asegúrese de que el interruptor se encuentre en la posición de apagado antes de realizar la conexión con la batería, recoger o transportar la herramienta. El transporte de la herramienta con el dedo sobre el interruptor o con una herramienta que está energizada y posee el interruptor en la posición de encendido puede provocar accidentes.
- 17) Desconecte la batería de la herramienta antes de realizar ajustes, cambiar accesorios o almacenar la herramienta.

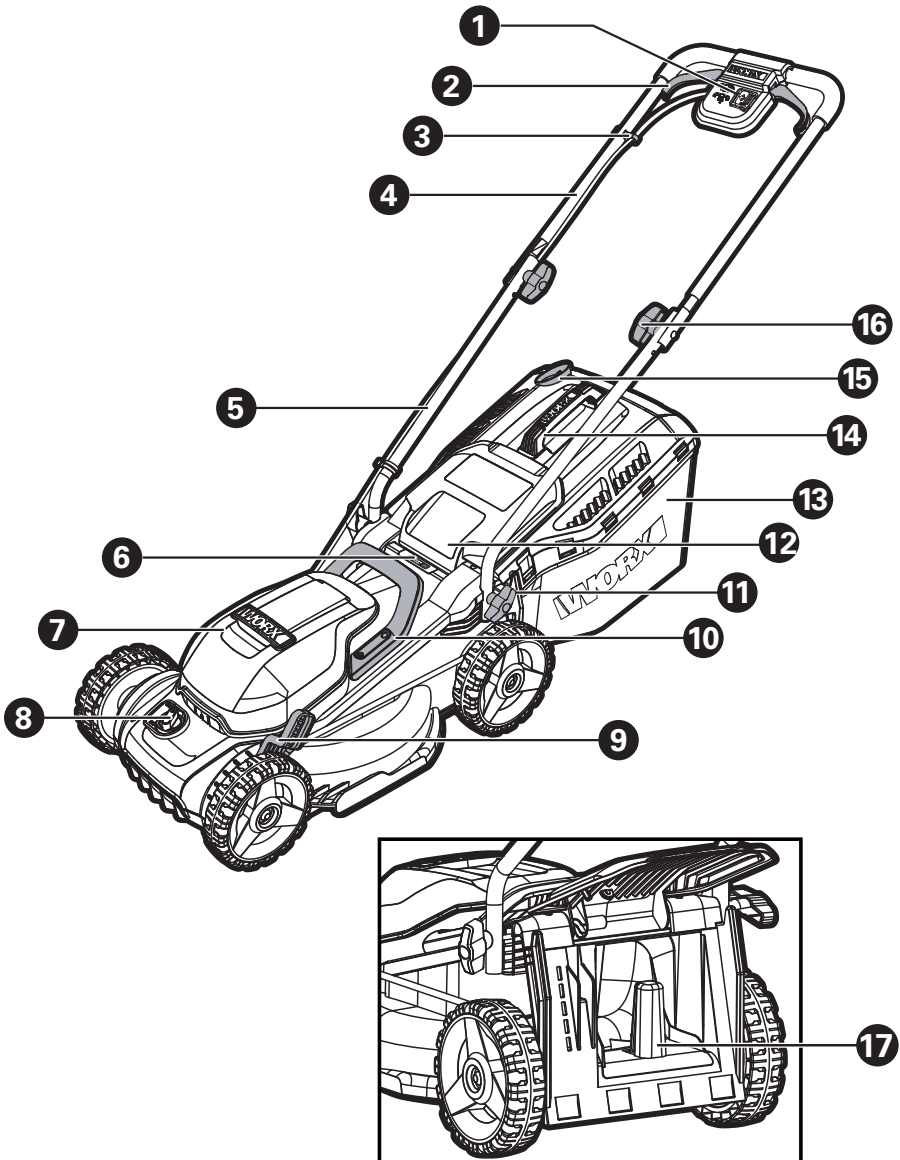
Dichas medidas de seguridad preventivas reducen el riesgo de encender la herramienta de forma accidental.

- 18) En condiciones de uso abusivo, es posible que se expulse líquido desde la batería. Evite el contacto. Si ocurre un contacto accidental, enjuague con agua. Si el líquido entra en contacto con los ojos, solicite asistencia médica. El líquido expulsado desde la batería podría causar irritación o quemaduras.
- 19) Solicite el servicio técnico a una persona de reparación calificada solo utilizando piezas de reemplazo idénticas. Esto garantizará que se mantenga la seguridad del producto.

	No exponer a la lluvia ni al agua.
	No arrojar al fuego
 Li-ion	Batería de Ion de litio, la batería se debe reciclar
	Use siempre unos guantes de protección
	Retire el Paquete de la batería de la herramienta antes de realizar cualquier ajuste, servicio o mantenimiento.
	Las cuchillas continuarán girando después de que la máquina se apague. Espere hasta que todos los componentes de la máquina se hayan detenido completamente antes de tocarlos.
	Retire la llave
	call2recycle POSITEC Inc. ha establecido una asociación con la empresa RBRC para el reciclaje de todas las baterías Positec que posean el sello RBRC-call2recycle. Para contribuir con la protección del medio ambiente, no deseche las baterías como residuos normales. Después de que haya finalizado el ciclo de vida útil de la batería, comuníquese al 1.800-822-8837 para acceder al servicio gratuito que realizará el desecho correcto de la batería.

SÍMBOLOS

	Etiqueta de peligro CPSC
	Corte de dedos del pie o de la mano – Hoja giratoria de la cortadora de pasto.
	Objetos expulsados desde la cubierta de la cortadora de pasto.
	Mantenga alejados a los niños
	Alerta de seguridad.
	Resbalón en pendiente.
	Lea el manual
	Para reducir el riesgo de lesiones, el usuario deberá leer el manual de instrucciones.



Cortacésped sin cables 2 en 1 ES

-
- 1. LLAVE DE SEGURIDAD**

 - 2. PALANCA DE ENCENDIDO**

 - 3. GANCHOS PARA EL CABLE**

 - 4. MANGO SUPERIOR**

 - 5. MANGO INFERIOR**

 - 6. LUZ DE INDICADOR DE BATERÍA**

 - 7. CUBIERTA DE ALOJAMIENTO DE BATERÍA**

 - 8. INTERRUPTOR INTELICUT**

 - 9. PALANCA DE AJUSTE DE ALTURA DE CORTE**

 - 10. MANIJA DE TRANSPORTE**

 - 11. MANIJA, INFERIOR**

 - 12. TAPA DE SEGURIDAD**

 - 13. BOLSA PARA PASTO**

 - 14. MANIJA DE BOLSA**

 - 15. INDICADOR DE LLENADO DE LA BOLSA DE CÉSPED**

 - 16. MANIJA, SUPERIOR**

 - 17. INSERTO PARA MANTILLO**

 - 18. BATERÍA *(Vea la Fig. E)**

 - 19. PERNO DE LA HOJA (Vea la Fig. P1)**

 - 20. HOJA (Vea la Fig. P1)**
-

* No todos los accesorios ilustrados o descritos se incluyen junto con el producto estándar.

DATOS TÉCNICOS

	WG779	WG779.9
Tensión	40V --- Max. (2x20V Max.)**	
Velocidad sin carga	3300 / 3700/min	
Diámetro de la plataforma	14pulg. (35cm)	
Diámetro de corte	13pulg. (34cm)	
Altura de corte	1-1/2pulg.~3-1/2pulg. (38~88mm)	
Posiciones de altura de corte	6	
Diámetro de la rueda delantera	6.3pulg. (160mm)	
Diámetro de la rueda trasera	7pulg. (180mm)	
Capacidad de recolección de pasto	0.85 bushels (30L)	
Capacidad de batería	4.0Ah (WA3578)	/
Tipo de batería	Lithium-Ion	/
Modelo del cargador	WA3875	/
Clasificación de voltaje del cargador	Entrada: AC 120V~60Hz, Salida: 20V --- DC, 2.0 A	/
Tiempo de carga Baterías: 4.0Ah (1pc) 4.0Ah (2pcs)	2hrs 4hrs	/
Peso de la máquina	29.1lbs (13.2kg)	26.2lbs (11.9kg)

45

** Voltaje medido sin carga de trabajo. El voltaje inicial de la batería alcanza un máximo de 20 V. El voltaje nominal es 18V.

ACCESORIOS

	WG779	WG779.9
Batería (WA3578)	2	/
Cargador (WA3875)	1	/
Bolsa para pasto	1	
Inserto para Mantillo	1	
Ganchos para el cable	2	

Sólo utilice los accesorios apropiados diseñados para esta herramienta. Puede encontrar información sobre los accesorios en el embalaje del producto, consultando a un distribuidor de WORX o en nuestro sitio Web: www.worx.com.

Cortacésped sin cables 2 en 1 ES

INSTRUCCIONES DE USO



NOTA: Antes de usar la herramienta, lea atentamente el manual de instrucciones.

ENSAMBLE & FUNCIONAMIENTO

ACCIÓN	FIGURA
ENSAMBLE	
Ensamble de barra de manija NOTA: Elija uno de los dos orificios en la manija inferior para la altura deseada de la manija.	Vea la Fig. A1, A2, A3, A4, A5
Ensamble de bolsa de recolección de pasto	Vea la Fig. B1, B2, B3, B4
Ensamble de Bolsa de recolección de pasto a la podadora NOTA: Presione ligeramente la bolsa para pasto para asegurarse de que se encuentra completamente instalada. Asegúrese de que la bolsa para pasto se encuentra instalada firmemente. NOTA: Retire el inserto de abono de la podadora antes de instalar la bolsa de recolección de pasto.	Vea la Fig. C1, C2, C3
Revisar la condición de carga de la batería NOTA: La Fig. D1 sólo aplica para el paquete de batería con luz indicadora de la batería.	Vea la Fig. D1
Carga de la batería NOTA: El paquete de batería se envía descargado. La batería se debe cargar completamente antes de podar por primera vez. Siempre cargue completamente las dos baterías al mismo tiempo. Se pueden encontrar más detalles en el manual del cargador.	Vea la Fig. D2

Colocación/ desinstalación de paquete de batería
NOTA: Esta podadora sólo operará con las 2 baterías instaladas. Por favor siempre use dos baterías con la misma capacidad y cargue completamente las dos baterías. Utilizando dos baterías de tamaño diferente o si una batería no está cargada completamente, entonces la máquina sólo funcionará en el denominador común más bajo.

OPERACIÓN

Indicador de energía de la batería en la máquina
 Consulte los detalles en la parte ESTADO DE BATERÍA

IMPORTANTE

Cuando sólo se enciende una luz, por lo menos una batería está descargada y se necesita cargar, a pesar de que la cortacésped puede continuar cortando césped. Si se continúa utilizando la cortacésped con la batería descargada, es posible que exista una reducción en la vida útil y en el rendimiento de la batería.



Cuando no se ilumine ninguna luz, por lo menos una batería no está instalada completamente o la batería está defectuosa, por favor vuelva a revisar que las baterías estén completamente asentadas en su posición.

Encendido & Apagado

Vea la Fig. E

Vea la Fig. F



Vea la Fig. G1, G2

<p>Ajuste de altura de corte</p> <p>ADVERTENCIA! Deténgase, libere la palanca del interruptor, retire la llave de seguridad, y espere hasta que el motor se detenga antes de ajustar la altura. Las cuchillas continuarán girando después de apagar la máquina. Una cuchilla en movimiento podría causar una lesión. No toque las cuchillas en movimiento.</p>	<p>Vea la Fig. H</p>
<p>Selección de carátula intellicut Modo ECO Seleccione el modo eco al cortar césped en condiciones diarias, cortando aproximadamente 1pulg. de césped por vez. ModoTURBO Coloque el selector en el modo turbo al cortar césped denso o sumamente crecido.</p>	<p>Vea la Fig. I1, I2</p>
<p>Indicador de llenado de la bolsa de césped Estado de bolsa vacía: aleta flotando (a)</p>  <p>Estado de bolsa llena: aleta hacia abajo (b)</p> 	<p>Vea la Fig. J1</p>
<p>Desinstalación/vaciado de bolsa de recolección de pasto</p> <p>ADVERTENCIA: Verifique siempre que la tapa de seguridad cierre completamente el orificio de descarga antes de usarla. Nunca levante la aleta de seguridad cuando se esté usando la podadora sin la bolsa de recolección de césped instalada.</p>	<p>Vea la Fig. J2</p>

<p>Instalación del inserto de desbroce</p>	<p>Vea la Fig. K1, K2</p>
<p>Descarga trasera NOTA: Retire el inserto de corte primero.</p>	<p>Vea la Fig. L</p>
<p>Almacenamiento</p>	<p>Vea la Fig. M1, M2</p>

ESTADO DE BATERÍA (Vea la Fig. F)

Antes de arrancar o después del uso, presione el botón "POWERTEST" en la máquina para verificar la capacidad de la batería. Durante la operación, la capacidad de la batería se indicará automáticamente por el indicador de energía de la batería. El indicador detecta y muestra constantemente la condición de la batería como sigue:

Estado de indicador de energía de batería	Condición de batería
<p>Se iluminan cinco luces verdes ().</p>	<p>Las dos baterías están en una condición completamente cargada.</p>
<p>Dos, tres o cuatro luces verdes están iluminadas.</p>	<p>Las dos baterías tienen carga restante. Mientras más luces estén iluminadas, mayor es la capacidad de la batería.</p>
<p>Sólo se ilumina una ().</p>	<p>Por lo menos una batería está descargada y se necesita cargar.</p>
<p>No hay ninguna luz iluminada.</p>	<p>Por lo menos una batería no está instalada completamente o la batería está defectuosa.</p>
<p>Sólo una luz parpadea dos veces por ciclo.</p>	<p>Por lo menos una batería está bastante descargada (consulte la condición de carga de la batería), por favor recargue las dos baterías a la vez antes de volver a usar o guardar.</p>

Sólo una luz parpadea tres veces por ciclo.	Por lo menos una batería está caliente, espere que se enfríe antes de Volver a comenzar.
Sólo una luz parpadea cuatro veces por ciclo.	La máquina está sobrecargada. Levante la altura de corte o empuje lentamente.

RECOMENDACIONES PARA DESBROZAR

Al utilizar el accesorio de desmenuzado, su nueva podadora está diseñada para recortar los trozos de pasto en pequeñas piezas y distribuirlos por todo el césped. Bajo condiciones normales, el pasto recortado se degradará rápidamente para proporcionarles nutrientes a su césped. Para obtener el mejor funcionamiento, utilizando las aletas de desmenuzado ubicados dentro de la cubierta de la cortacésped.

- 1) Evite podar el césped cuando esté mojado debido a la lluvia o al rocío. El pasto húmedo tiende a formar grupos que interfieren con la acción de desbroce y reducen el tiempo de operación. La mejor hora para podar el césped es ya avanzada la tarde, cuando el pasto esté seco y el área recién cortada no quede expuesta a la luz directa del sol.
- 2) Para obtener mejores resultados, ajuste la altura de podado para que corte solamente el tercio superior. Si el césped está demasiado largo, será necesario ajustar la podadora. Puede ser necesario disminuir la altura de corte para reducir el esfuerzo de empuje y evitar sobrecargar el motor. Para desbrozar áreas muy pesadas, es recomendable hacer un primer corte a una altura elevada, y después recortar a la altura final deseada. De otra manera, haga cortes angostos y puede lentamente.
- 3) Para mejor rendimiento, conserve la carcasa de la podadora libre de pasto acumulado. De vez en cuando apague la podadora y espere que el aspa se detenga completamente. Quite la llave

de seguridad (1) y gire la podadora de cabeza. Usando un objeto como un palo, limpie la acumulación de césped en el área del aspa. Tenga cuidado con los bordes filosos del aspa. Limpie a menudo en césped húmedo y nuevo y siempre después de cada uso.

- 4) Ciertos tipos de césped y las condiciones del pasto pueden requerir que el área se desbroce por segunda ocasión para ocultar completamente los restos. Cuando efectúe el segundo corte, puede perpendicularmente al primer tramo. **NO PODE PERPENDICULARMENTE SI ESTO LE OBLIGA A CAMINAR A TRAVES DE UNA COLINA.**
- 5) Cambie su patrón de corte cada semana. Esto le ayudará a evitar maltratar su césped.

ÁREA DE CORTE

El área de corte puede ser afectada por muchos factores que incluyen: altura de corte, prácticas de operación (por ej., arranque/paro), niveles de humedad del césped, longitud y densidad de césped.

La siguiente tabla proporciona las áreas de corte potenciales en base a las condiciones de corte específicas.

Altura de Corte	Tamaño de lote recomendado (máximo)
Con 2 baterías*20V/4.0Ah	
Corte 3.3pulg. (84mm) a 2.5pulg. (64mm)	Hasta 5000 pies ² (460m ²) *

* Usado con dos paquetes de batería completamente cargados.

CONSEJOS:

- 1) Podar el césped frecuentemente y reducir la cantidad de procedimientos de arranque/paro ayudará a conservar el tiempo de operación de la batería. Se recomienda siempre usar las mismas dos baterías durante la operación con niveles de carga completa.
- 2) Para el mejor desempeño de corte, se

recomienda sólo podar hasta 1/3 o menos de la altura del césped actual a la vez. Podar más lentamente cuando corte césped largo/espeso para permitir que la podadora descargue adecuadamente los recortes.

MANTENIMIENTO



ADVERTENCIA: Detenga la cortacésped y extraiga la llave de seguridad antes de retirar la bolsa de pasto.

NOTA: Para asegurar un servicio duradero y confiable, realice el siguiente procedimiento de mantenimiento periódicamente. Revísela por defectos obvios como la hoja floja, dislocada o dañada, tornillos flojos, y componentes gastados o dañados. Verifique que las cubiertas y protecciones no estén dañadas y estén correctamente colocadas en la podadora. Realice todo el mantenimiento o reparaciones necesarias antes de usarla. Si la podadora presenta una falla a pesar del mantenimiento, llame a nuestra línea de ayuda al cliente por asesoramiento.

AFILADO DE LA CUCHILLA

CONSERVE AFILADA LA CUCHILLA PARA OBTENER MEJOR RENDIMIENTO DE LA PODADORA.

UTILICE PROTECCION PARA LOS OJOS SIEMPRE QUE QUITE, AFILE O INSTALE LA CUCHILLA. ASEGURESE DE HABER QUITADO LA LLAVE DE SEGURIDAD.

En la mayoría de las zonas, la cuchilla debe afilarse dos veces durante la temporada de podado. En zonas con suelos arenosos, se puede requerir afilado más frecuentemente, ya que la arena acaba con el filo de la cuchilla más rápidamente.

REEMPLACE UNA CUCHILLA DOBLADA O DAÑADA INMEDIATAMENTE.

CUANDO AFILE LA CUCHILLA:

1. Asegúrese que la cuchilla quede balanceada.
2. Afile la cuchilla en el ángulo de corte original.
3. Afile los bordes en ambos extremos de la cuchilla, rebaje la misma cantidad de

material en ambos extremos.

NOTA:

1. Asegúrese que la podadora esté apagada y retire la llave de seguridad
2. Coloque la podadora en el modo de almacenamiento vertical.

PARA AFILAR LA CUCHILLA EN UNA PRENSA (Vea la Fig. N)

1. Asegúrese de haber liberado la palanca del interruptor, de que la cuchilla se haya detenido y de quitar la llave de seguridad.
2. Saque la cuchilla de la podadora. Vea las instrucciones para la remoción y colocación de la cuchilla.
3. Asegure la cuchilla N-1 en una prensa N-2.
4. Use anteojos de seguridad y tenga cuidado de no cortarse.
5. Afile cuidadosamente los bordes cortantes de la cuchilla con una lima de dientes finos N-3 o con una piedra de afilar.
6. Verifique el balance de la cuchilla. Vea las instrucciones para balancear la cuchilla.
7. Vuelva a colocar la cuchilla en la podadora y apriete con firmeza. Consulte las instrucciones siguientes.

BALANCEO DE LA CUCHILLA (Vea la Fig. O)

Verifique el balance de la cuchilla colocando la perforación central O-1 sobre un clavo o sobre el vástago de un destornillador O-2 sujetado en una prensa O-3. Si cualquiera de los extremos gira hacia abajo, afile ese extremo. La cuchilla está balanceada correctamente cuando ninguno de los extremos cae.

MANTENIMIENTO DE LAS CUCHILLAS (Vea la Fig. P1, P2)

Cambie la cuchilla metálica después de 50 horas de corte o 2 años, lo que ocurra antes, independientemente de la condición de las mismas.

Siga el procedimiento siguiente para extraer y reemplazar la cuchilla. Necesitará guantes de jardín (no suministrados) y una llave (no suministrada) para extraer la cuchilla.

Sostenga la cuchilla (20) y desenrosque el perno de la cuchilla (19) hacia la izquierda utilizando una llave, y luego extraiga la hoja. Para volver a colocar la hoja, coloque la hoja (20) con los bordes de corte hacia el suelo. Apriete entonces firmemente la tuerca de la cuchilla (19).

ALMACENAMIENTO (Vea la Fig. M1, M2)

Detenga el cortacésped y extraiga siempre la llave de seguridad. Limpie bien el exterior de la máquina con un cepillo blando y un trapo. No

use agua, solventes o pulidores. Quite todo el pasto y desechos, especialmente de las ranuras de ventilación.

Ponga la máquina de costado y limpie el área de la hoja. Si hay cortes de pasto compactados en la zona de la hoja, quítelos con un trozo de madera o plástico.

Guarde la máquina en un lugar seco. No coloque objetos encima de la máquina.

Para facilitar el almacenamiento, afloje las manijas y gire o pliegue la manija superior (Fig. M1 & M2).

GUÍA DE SOLUCIÓN DE PROBLEMAS

Problema	Solución
1. La podadora no funciona al activar la palanca de seguridad.	<p>A. Verifique para asegurarse de que la llave de seguridad ha sido instalada y está completamente asentada, y que el botón del alojamiento del interruptor esté completamente oprimido.</p> <p>B. Suelte la palanca del interruptor para apagar la podadora. Retire la llave de seguridad, voltee la podadora y verifique que la hoja pueda girar libremente. Si no está libre, devuelva la unidad a un centro de mantenimiento autorizado. La hoja debe girar libremente.</p> <p>C. Se ha cargado la batería por completo? Enchufe el argador y espere hasta que se encienda la luz verde.</p>
2. El motor se detiene mientras está cortando el césped.	<p>A. Suelte la palanca del interruptor para apagar la podadora. Retire la llave de seguridad. Voltee la podadora y verifique que la hoja pueda girar libremente. Si no está libre, devuelva la unidad a un centro de mantenimiento autorizado de. La hoja debe girar libremente.</p> <p>B. Eleve la altura de corte de las ruedas a la posición más alta y encienda la podadora.</p> <p>C. Se ha cargado la batería por completo? Enchufe el argador y espere hasta que se prenda la luz verde.</p> <p>D. Evite sobrecargar la podadora. Reduzca el ritmo de corte empujando la podadora con mayor lentitud o eleve la altura de corte. También puede hacer ambas cosas.</p>
3. La podadora funciona, pero el rendimiento de corte no es satisfactorio o no corta el césped en su totalidad.	<p>A. Se ha cargado la batería por completo? Enchufe el cargador y espere hasta que se prenda la luz verde.</p> <p>B. Suelte la palanca del interruptor para apagar la podadora. Retire la llave de seguridad. Voltee la podadora y verifique que: El filo de la hoja. Mantenga la hoja afilada. No haya obstrucciones en la plataforma o en el conducto de descarga</p> <p>C. Es posible que el ajuste de altura de las ruedas se haya fijado demasiado bajo para el estado del césped. Eleve la altura de corte.</p>

4. Cuesta mucho empujar la podadora.	A. Eleve la altura de corte para reducir el rozamiento de la plataforma contra el césped. Verifique que cada rueda gire libremente.
5. La podadora produce vibraciones y ruidos anormales.	A. Suelte la palanca del interruptor para apagar la podadora. Retire la llave de seguridad. Voltee la podadora sobre el costado y verifique la hoja para asegurarse de que no esté doblada o dañada. Si la hoja está dañada, reemplácela por una hoja de repuesto. Si la parte inferior de la plataforma está dañada, envíe la podadora a un centro de mantenimiento autorizado. B. Si no hay daños visibles en la hoja y la podadora aún vibra: Suelte la palanca del interruptor para apagar la unidad, retire la llave de seguridad, y retire la hoja. Haga girar la hoja 180 grados y vuelva a ajustarla. Si la podadora sigue vibrando, envíela a un centro de mantenimiento autorizado.
6. El LED del cargador de la batería no se enciende.	A. Verifique la conexión del enchufe. B. Reemplace el cargador.
7. El LED del cargador de la batería no cambia a verde.	A. Se debe someter la batería a diagnóstico. Llévela a un centro de mantenimiento autorizado.
8. La podadora no recoge los recortes de césped con la bolsa.	A. Retire la placa desbrozadora al usar la bolsa recolectora. B. El conducto está obstruido. Suelte la palanca del interruptor para apagar la podadora. Retire la llave de seguridad. Elimine los recortes de césped del conducto. C. Demasiado césped cortado. Eleve la altura de corte de las ruedas para acortar la longitud del corte. D. La bolsa está llena. Vacíe la bolsa con mayor frecuencia.
9. Al realizar el mantillo los recortes quedan a la vista.	A. Demasiado césped cortado. Eleve la altura de corte de las ruedas para acortar la longitud del corte. No corte más de 1/3 de la longitud total. B. Verifique el filo de la hoja. Siempre mantenga la hoja afilada.
10. El tiempo de funcionamiento será bajo o reducido después de muchos usos.	A. Devuelva la unidad a un centro de mantenimiento autorizado. Es posible que necesite una batería nueva.
11. El LED del cargador de batería parpadea en rojo y no se puede cargar la batería.	A. La batería se sobrecarga después del uso continuo. Retire la batería del cargador y permita que enfríe a 42°C o menos.

WORX
it's your nature

www.worx.com

Copyright © 2018, Positec. All Rights Reserved.

Copyright © 2018, Positec. Tous droits réservés.

© Derechos reservados 2018, Positec. Todos los derechos reservados.

AR01340200